

**Series 317 Product Overview**
**Features:**

- Dual mounting surfaces
- Large bar opening angle
- Accommodates M8 or 5/16" spindle accessories

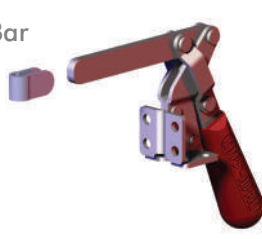
**Applications:**

- Assembly & test
- Checking fixtures
- Light machining
- Woodworking

**Also Available:**

See page 7.1 for accessories  
 817-U Pneumatic Toggle Clamp  
 (See page 9.21)  
 817-S Pneumatic Toggle Clamp  
 (See page 9.21)

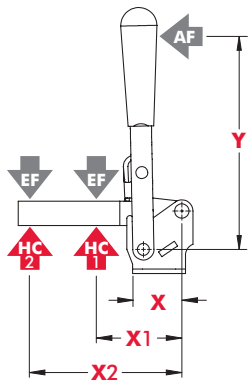
**317-U**  
U-Bar

**317-S**  
Solid Bar


Note:  
Clamps shown with included accessories.

**Series 317 Technical Information**

Model	Max. Holding Capacity	Clamp Bar Opening (+10°)	Handle Opening (+10°)	Weight	Accessories (Supplied)		
					Bolt Retainer	Spindle Assembly	Flanged Washers
<b>317-U</b>	1670 N [375 lbf]	185°	60°	0,34kg [0.75lbs]	---	507208-M	507107
<b>317-S</b>	1780 N [400 lbf]				207105	---	---

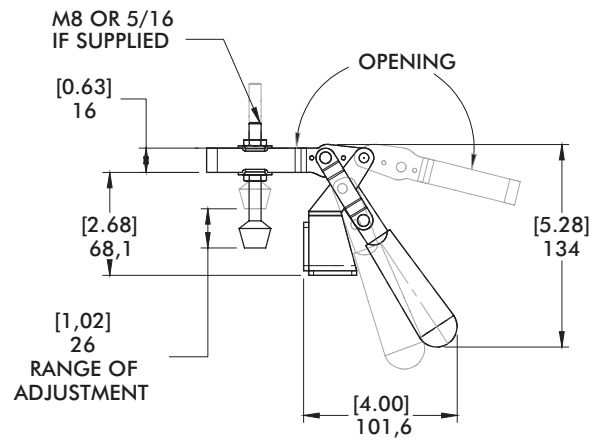
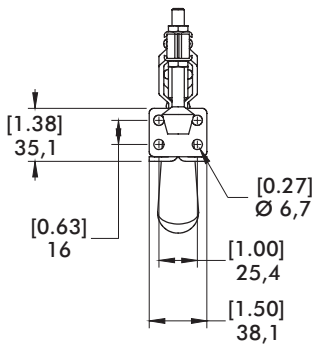
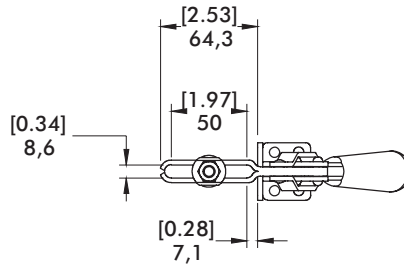
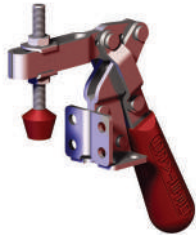
**Series 317 Holding Capacities**


Model	X	X1	X2	Y	‡HC1	‡HC2	‡EF(X1):AF	‡EF(X2):AF
<b>317-U</b>	[1.57]	[2.00] 50,8	[3.75] 95,3	[4.00]	[375 lbf] 1670 N	[200lbf.] 900N	17:1	8:1
<b>317-S</b>	40,0	[2.50] 63,5	[5.00] 127,0	101,6	[400 lbf] 1780 N	[190lbf.] 850N	13:1	5:1

Dimensions shown "mm [inch]" ‡ HC = Holding Capacity, EF = Exerting Force, AF = Applied Force  
 Refer to page 15.4 for additional information.

## Series 317 Standard Clamp Dimensions -U/-S

**317-U**  
U-Bar



**317-S**  
Solid Bar

