



Series 385 Product Overview

Features:

- Heavy duty U-hook style latch clamps are supplied with threaded U-hooks for easy adjustment
- Supplied with patented thumb control lever for one handed operation
- DE-STA-CO® Toggle Lock Plus versions available

Applications:

- Molding
- Closures for doors, lids, covers
- Assembly

Also Available:

- Clamps with longer hooks available Upon Request that are 25mm, 50mm, 100mm longer than standard length
- To order clamp with longer hook, add **-M-25**, **-M-50**, or **-M-100** to the end of the model. Example: 385-**M-50**

Covered under one year or more U.S./International Patents

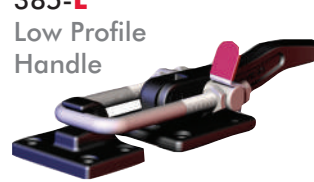
385



**385-R** with DE-STA-CO® Toggle Lock Plus



**385-L** Low Profile Handle



**385-V2A** Stainless Steel



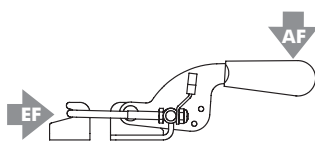
375509 Cleat



385102 Optional Latch Plate for 385, 385-R and 385-L



Series 385 Technical Information, Holding Capacities



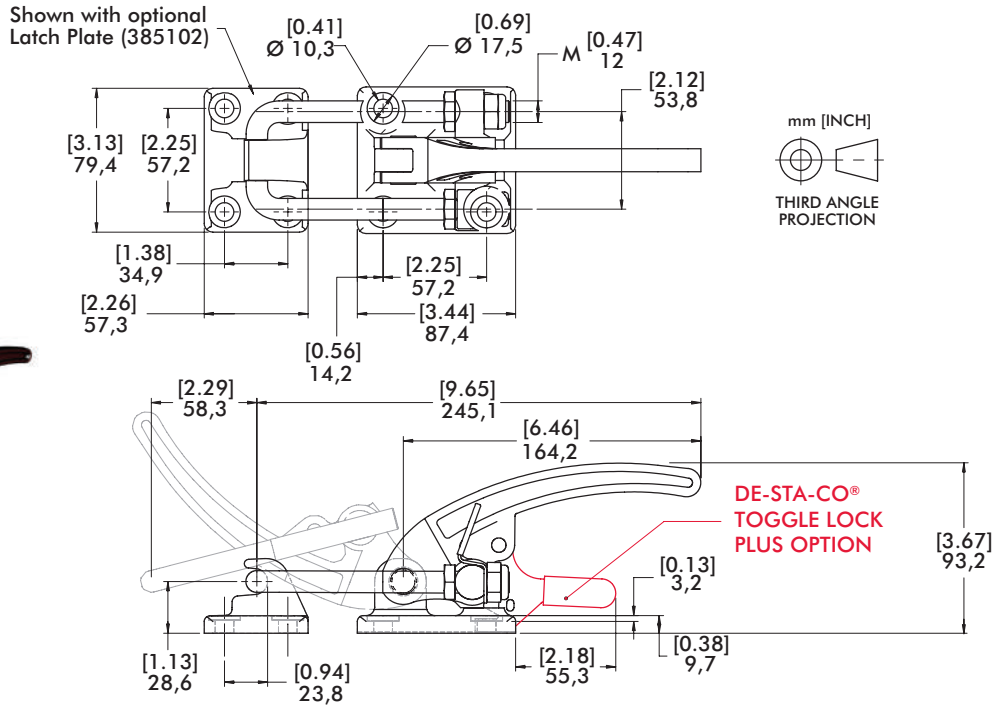
Model	Max. Holding Capacity	Weight	EF:AF	Drawing Movement	Latch Plate	Replacement Hook Assembly	Hook Adj. Range
<b>385</b>		[3.3lb] 1,50kg	44:1	55,6 [2.19]	385102 (Optional) 375509 (Optional)	385215	[1.36] 34,5
<b>385-R</b>	[7500 lbf] 33300 N	[3.4lb] 1,54kg					
<b>385-L</b>		[3.3lb] 1,50kg					
<b>385-V2A</b> ⓘ	[6000 lbf] 26700 N				Supplied	ⓘ 385915	[1.77] 45

ⓘ This item is available upon request. EF = Exerting Force, AF = Applied Force

Series 385, 385-R Standard Clamp Dimensions

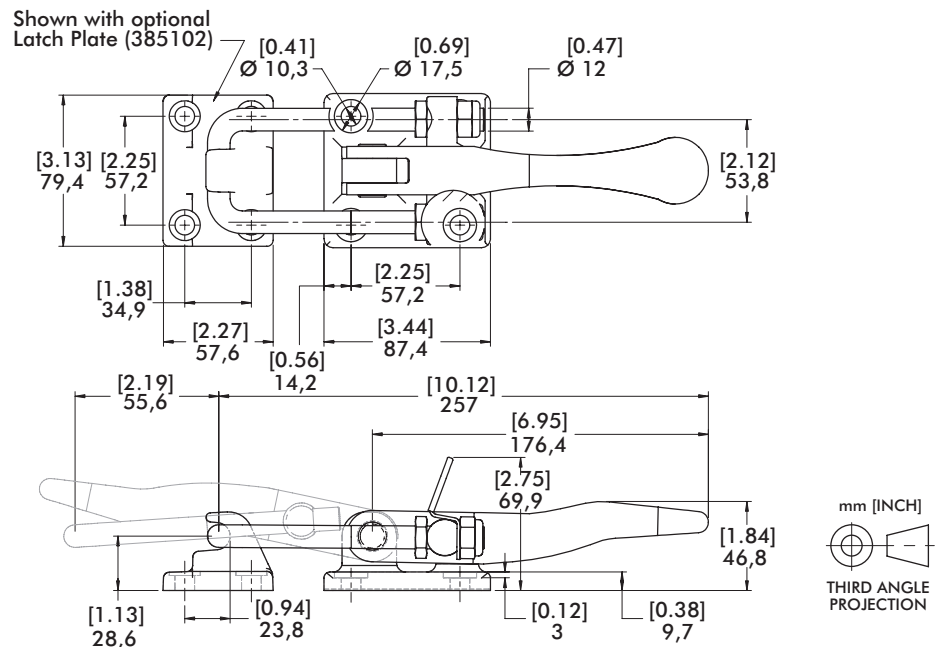
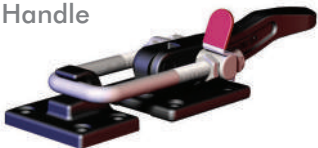


**385-R**  
with DE-STA-CO®  
Toggle Lock  
Plus



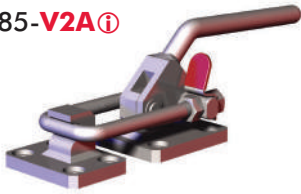
Series 385-L Standard Clamp Dimensions

**385-L**  
Low Profile  
Handle

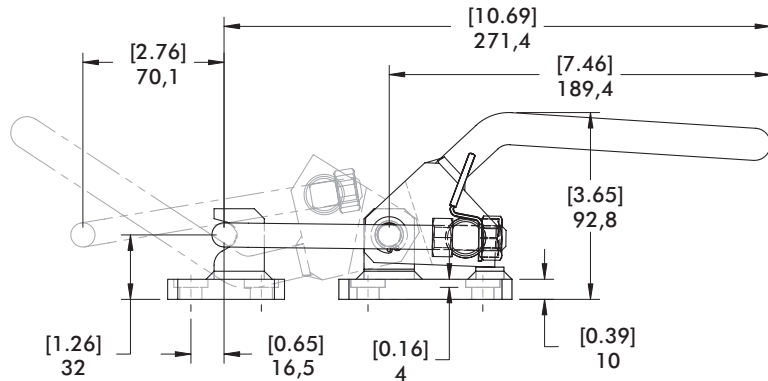
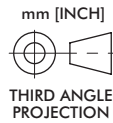
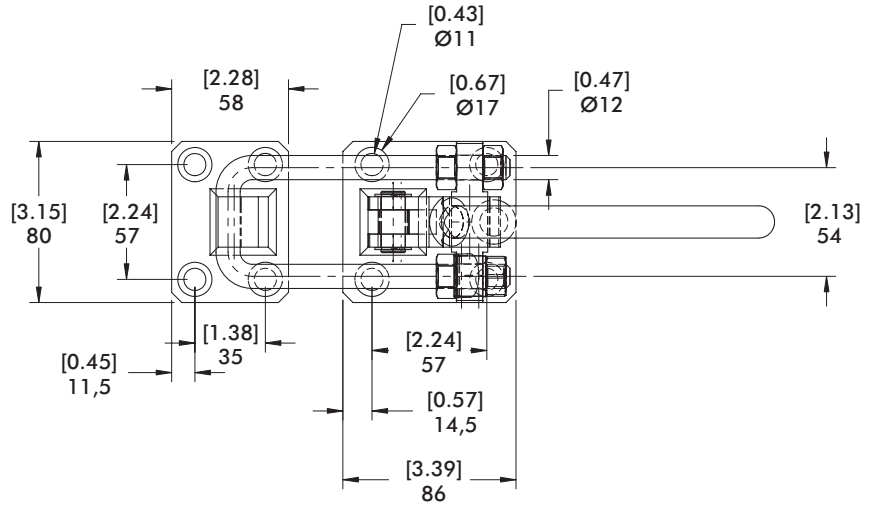


Series 385-V2A Standard Clamp Dimensions

385-V2A ⓘ



ⓘ This item is available upon request



Replacement Hook Assembly	Used on Clamp Model	A	B	C	M	Material
385215	385, 385-R, 385-L	[5.72] 145,3				Steel
385215-M-25 ⓘ	385-M-25, 385-R-M-25 385-L-M-25	[6.72] 170,7				
385215-M-50 ⓘ	385-M-50, 385-R-M-50 385-L-M-50	[7.72] 196				
385215-M-100 ⓘ	385-M-100, 385-R-M-100 385-L-M-100	[9.72] 247	[2.75] 70	[2.12] 53,8	M12 x 1.75	
385915	385-V2A	[5.72] 145,3				Stainless Steel
385915-M-25 ⓘ	385-V2A-M-25	[6.72] 170,7				
385915-M-50 ⓘ	385-V2A-M-50	[7.72] 196				
385915-M-100 ⓘ	385-V2A-M-100	[9.72] 247				

ⓘ This item is available upon request.

Replacement Thumb Control Lever	Used on Clamp Model
375-ZB1	375, 375-B 375-R, 375-BR
385-ZB1	385, 385-R 385-L, 385-V2A

