

Operating pressure max. 250 bar

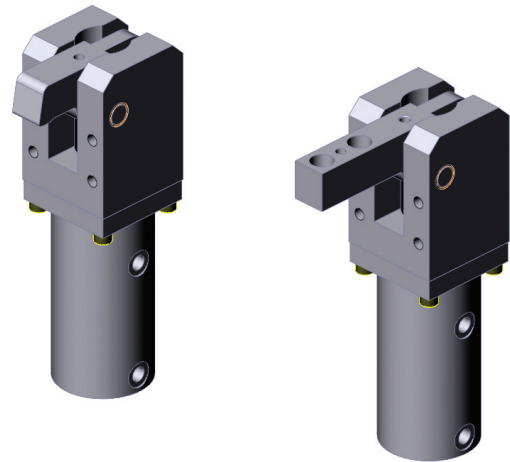
These power clamps are used where a high clamping force is needed combined with small clamp dimensions. The clamps are equipped with double oil connections for the clamping and opening procedures. This makes it easy to connect pipes when the clamps are arranged close together. If necessary, the cylinder body (after removal of the fastening screws) can be turned 90° in relation to the clamp. The stated clamping force of 5kN at 100 bar oil pressure is achieved only within the last 4 mm of clamping arm movement.

Technical characteristics

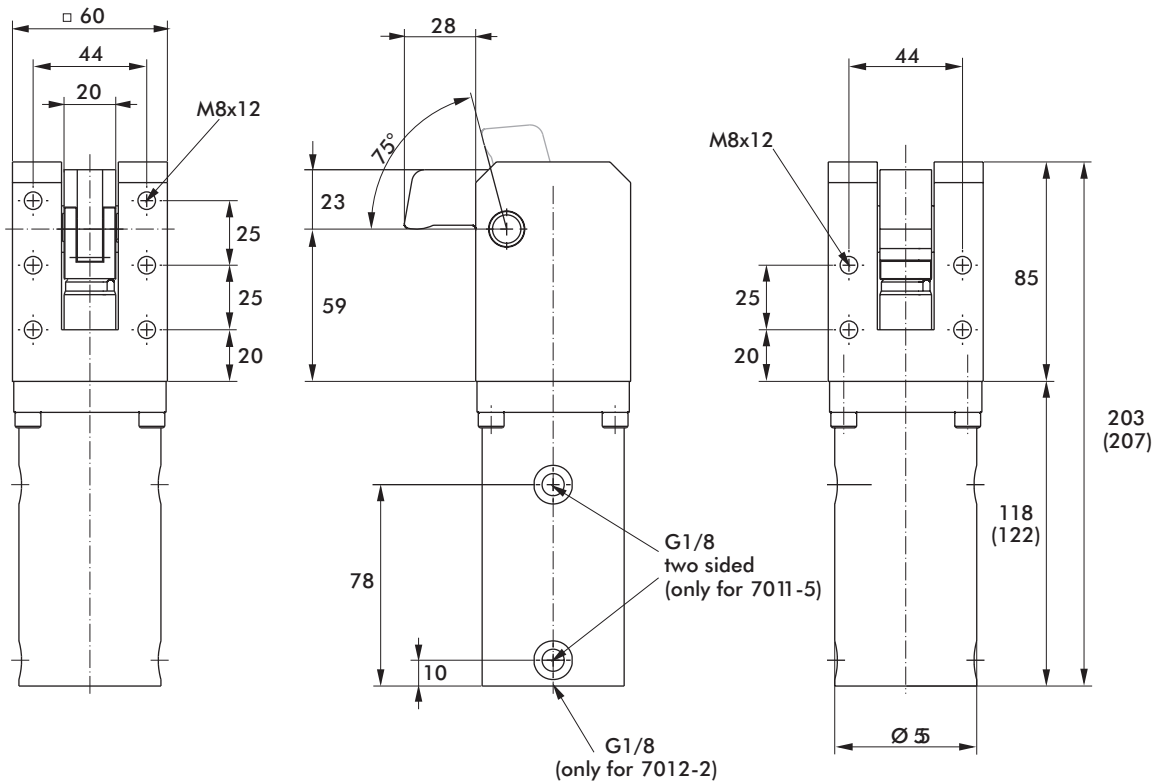
- Short clamping cycles with the double action version
- High clamping force with small dimensions
- Tolerance compensation of up to 4 mm at constant clampforce
- Optional: special clamping arm available

Recommended accessories (separate order)

1 or 2 straight screw connections, order no. **D8S-R1/8**



(with special designed clamping arm)



model no.	version	max. operating pressure	Clamping force	Tolerance	Oil consumption		Connection	Weight
		[bar]	at 100 bar [kN]	compensation [mm]	forward stroke [cm³]	back stroke [cm³]		
7011-5	double acting	250	5	4	25,7	15,5	4 x G1/8	3,8
7012-2	single acting				25,7	-		