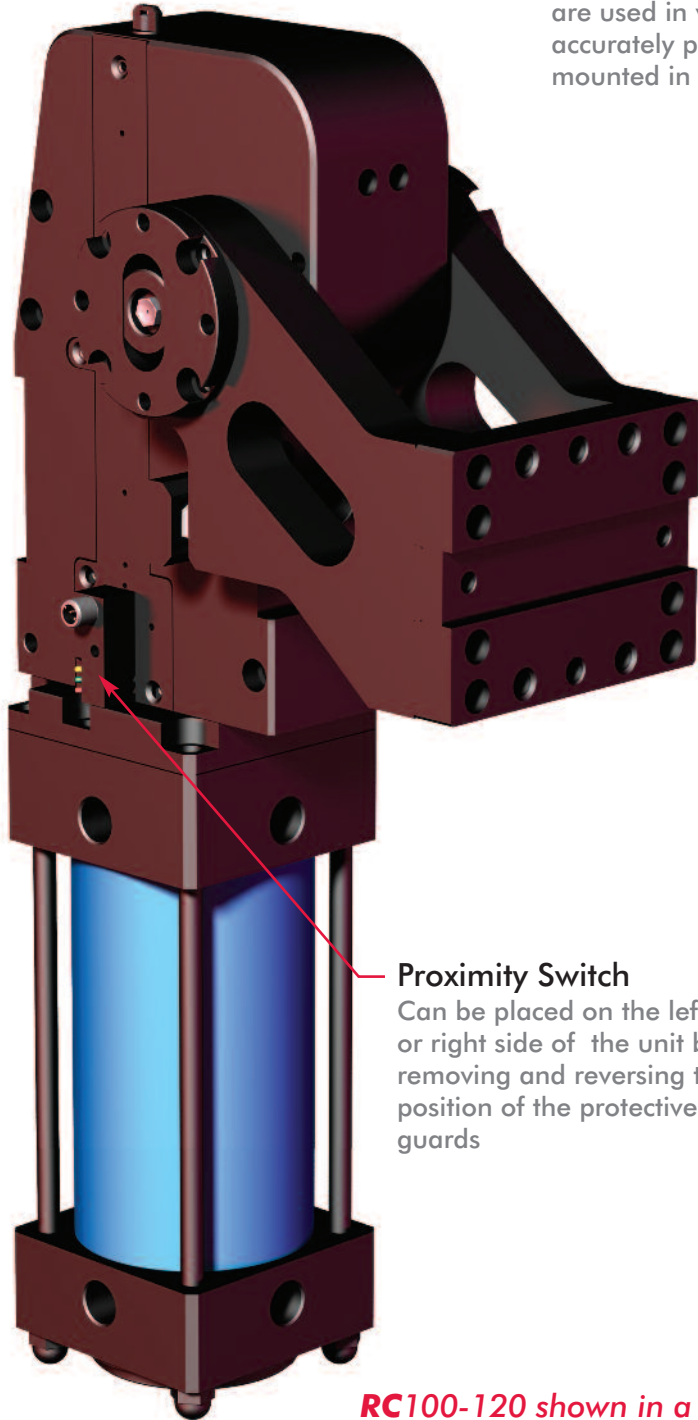


**GR and RC Series** Medium Duty Pivot Units

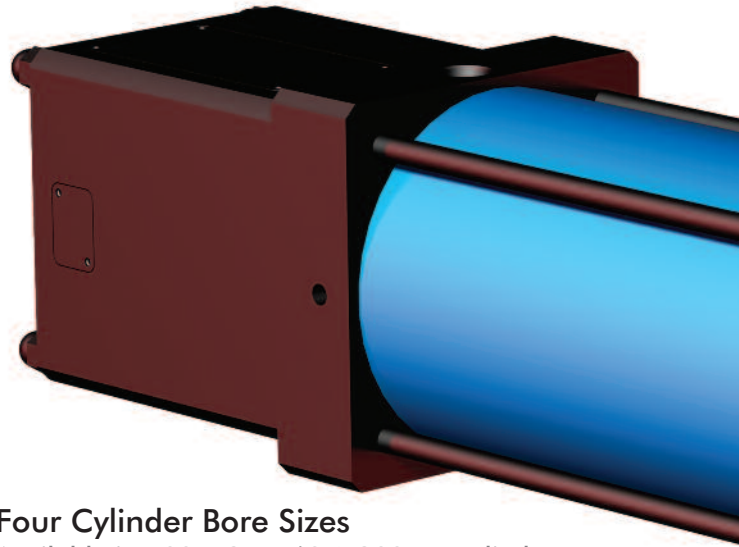
**GR and RC Series Pneumatic Pivot Units**

are used in welding applications or anywhere it is necessary to accurately position tooling. Both the RC and GR series can be mounted in an upright vertical or horizontal position.



**Proximity Switch**  
Can be placed on the left or right side of the unit by removing and reversing the position of the protective guards

*RC100-120 shown in a vertical "V" orientation*



**Four Cylinder Bore Sizes**

Available in 100, 125, 160 & 200mm cylinder bore sizes. Cylinders are offered with NPT or ISO G ports



**Cut Off Valve (GR Series Only)**

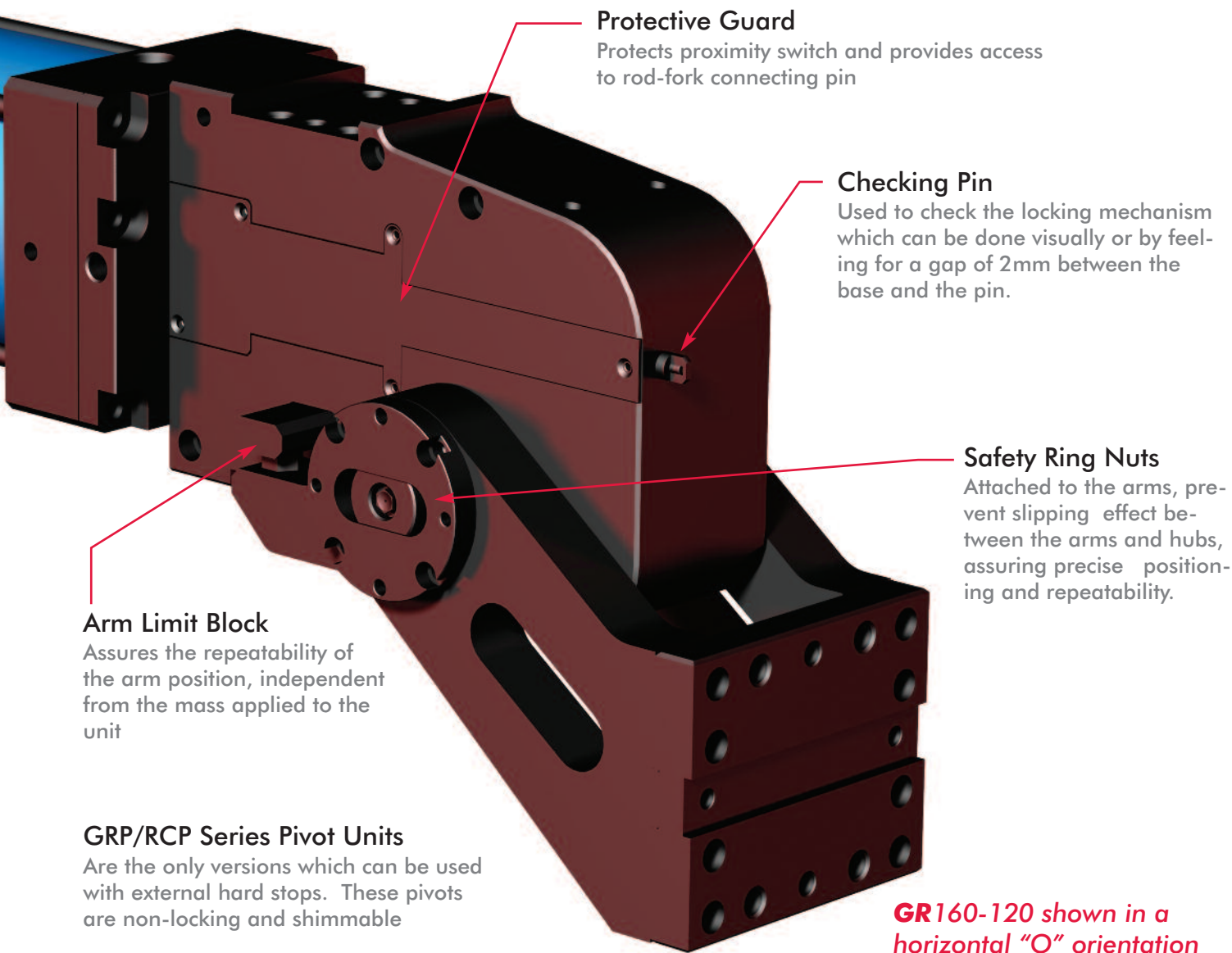
Stops movement when air pressure is lost.



GR and RC Series Medium Duty Pivot Units

Available in three different arm opening angles

45°, 90° and 120° arm opening angles are available in both the horizontal and vertical mount orientation. Both mounting orientations can also be ordered with an inverted mounting bracket.



**Protective Guard**  
Protects proximity switch and provides access to rod-fork connecting pin

**Checking Pin**  
Used to check the locking mechanism which can be done visually or by feeling for a gap of 2mm between the base and the pin.

**Safety Ring Nuts**  
Attached to the arms, prevent slipping effect between the arms and hubs, assuring precise positioning and repeatability.

**Arm Limit Block**  
Assures the repeatability of the arm position, independent from the mass applied to the unit

**GRP/RCP Series Pivot Units**  
Are the only versions which can be used with external hard stops. These pivots are non-locking and shimmable

**GR160-120 shown in a horizontal "O" orientation**

GR and RC Series Medium Duty Pivot Units

Ordering Information

**GR**

**160**

**120**

**V**

**PNEUMATIC PIVOT MODEL**

**GR** = GR SERIES PIVOT UNITS  
(HYDRAULIC MOTION CONTROL  
WITH BRAKING FEATURE)

**\*GRP** = GR SERIES PIVOT UNITS  
**NON LOCKING VERSION**  
(HYDRAULIC MOTION CONTROL  
WITH BRAKING FEATURE)

**RC** = RC SERIES PIVOT UNITS  
(HYDRAULIC MOTION CONTROL  
WITHOUT BRAKING FEATURE)

**\*RCP** = RC SERIES PIVOT UNITS  
**NON LOCKING VERSION**  
(HYDRAULIC MOTION CONTROL  
WITHOUT BRAKING FEATURE)

**CYLINDER OPTIONS**

**100** = 100MM BORE CYLINDER

**125** = 125MM BORE CYLINDER

**160** = 160MM BORE CYLINDER

**200** = 200MM BORE CYLINDER

**OPENING ANGLE**

**45** = 45°

**90** = 90°

**120** = 120°

**ORIENTATION**

**O** = HORIZONTAL

**V** = VERTICAL

**O/LS** = INVERTED HORIZONTAL

**V/LS** = INVERTED VERTICAL

**\*ONLY RCP AND GRP PIVOT UNITS  
CAN BE USED WITH EXTERNAL HARD  
STOPS AND SHIMMING**



GR and RC Series Medium Duty Pivot Units

Ordering Information

**PX**

**0**

**N**

**X**

**CYLINDER POSITION**  
(SEE BELOW)

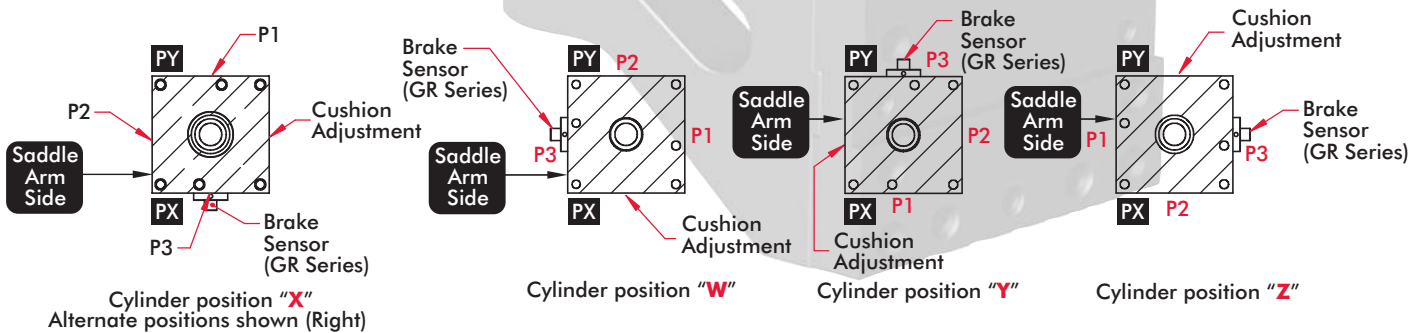
- X** = CYLINDER POSITION X
- Y** = CYLINDER POSITION Y
- W** = CYLINDER POSITION W
- Z** = CYLINDER POSITION Z

**PORT TYPE**  
**N** = NPT PORTS  
**G** = G PORT

**PROXIMITY SWITCH TYPE**  
**0** = NO PROXIMITY SWITCH  
**T** = TURCK PROXIMITY SWITCH  
**P** = PEPPERL+FUCHS PROXIMITY SWITCH  
**PM** = PEPPERL+FUCHS PROXIMITY SWITCH (WHITE LED)

**PROXIMITY SWITCH LOCATION** (SEE BELOW)  
**P0** = NO PROXIMITY SWITCH  
**PX** = PROXIMITY SWITCH ON THE X SIDE  
**PY** = PROXIMITY SWITCH ON THE Y SIDE

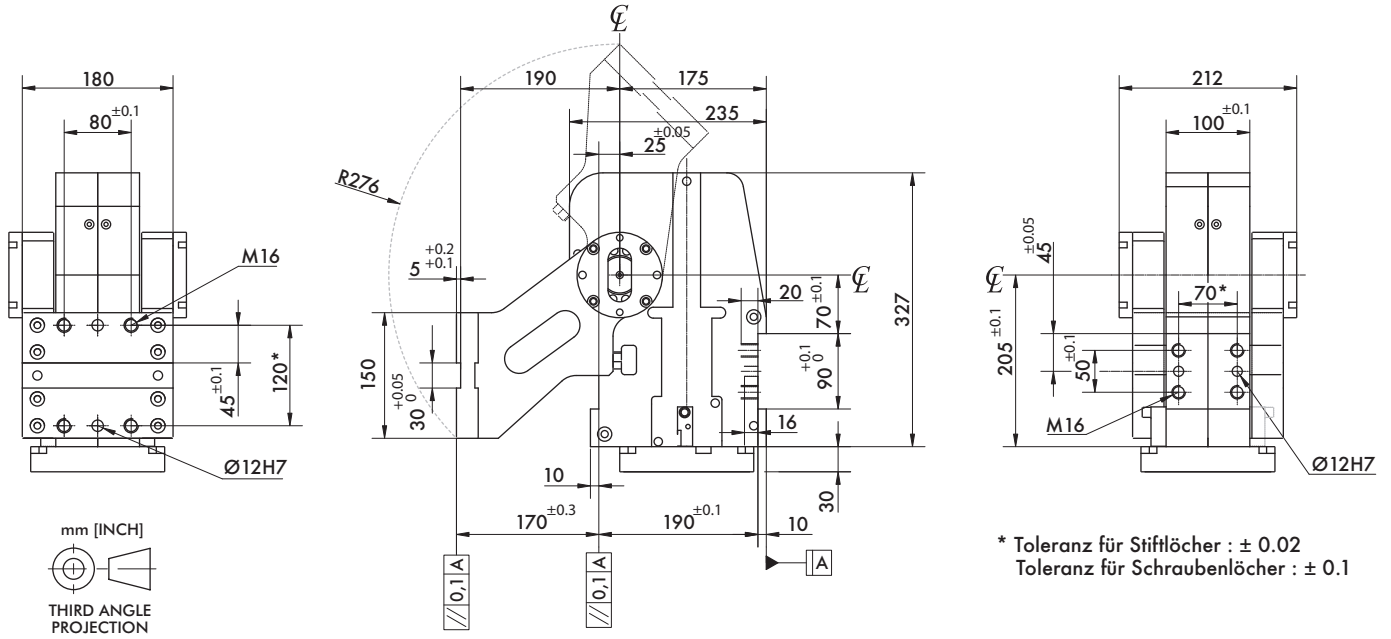
GR & RC Series Optional Cylinder Position (See page 9 for port sizes and locations)



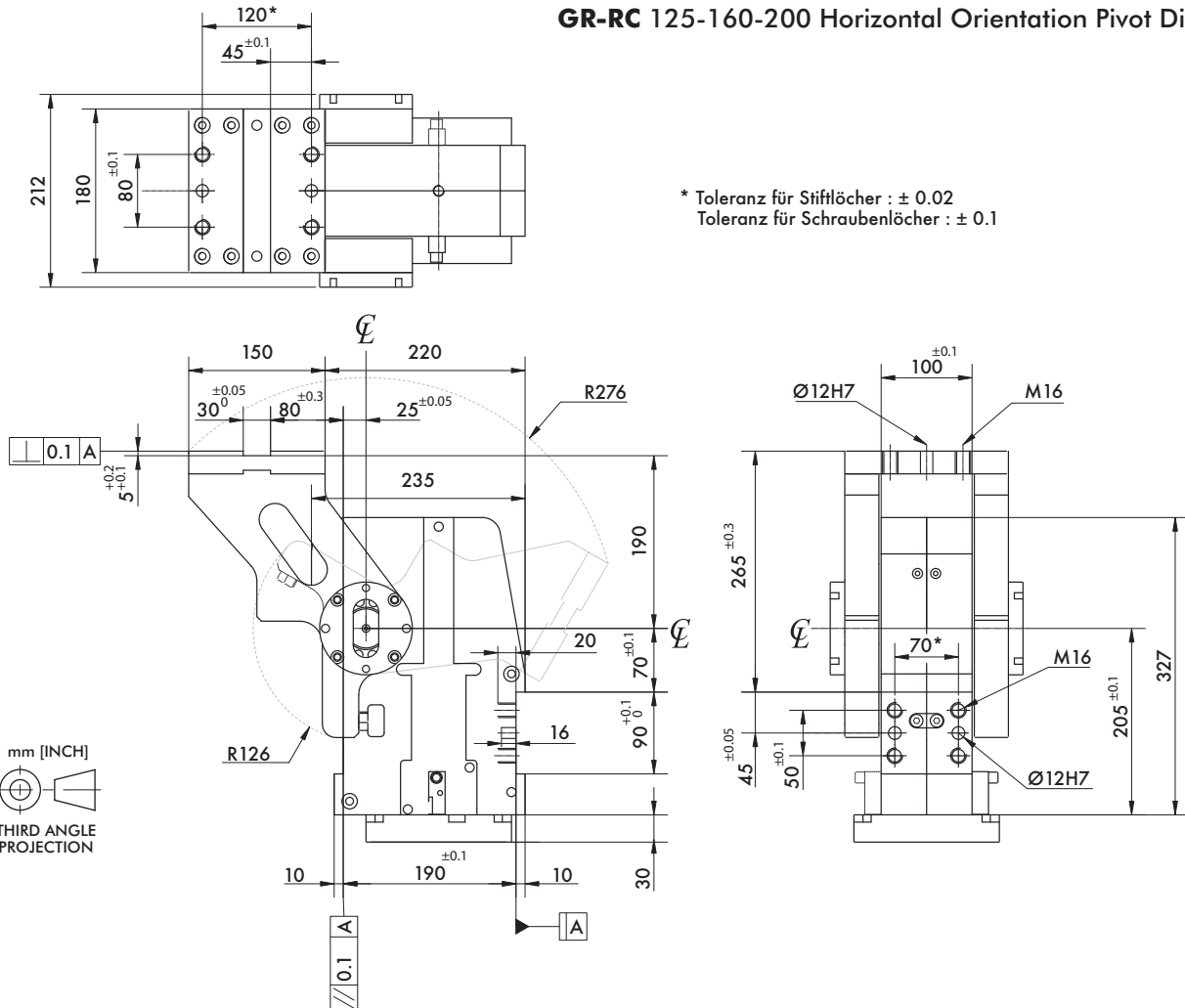


GR and RC Series Medium Duty Pivot Units

GR-RC 125-160-200 Vertical Orientation Pivot Dimensions

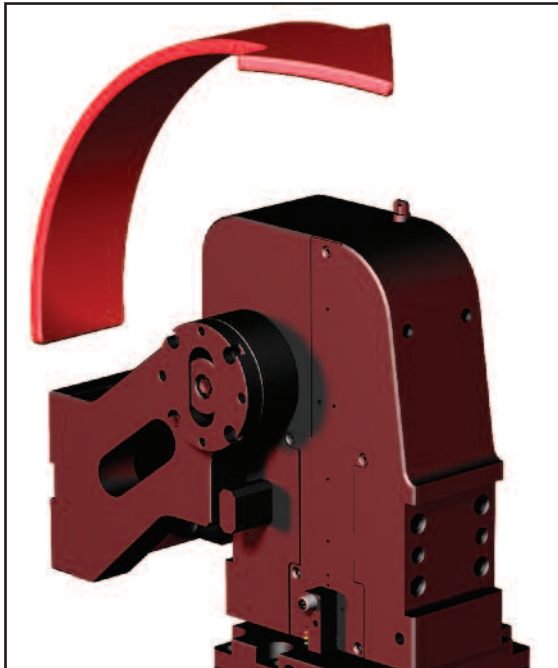


GR-RC 125-160-200 Horizontal Orientation Pivot Dimensions



GR and RC Series Medium Duty Pivot Units-Movement

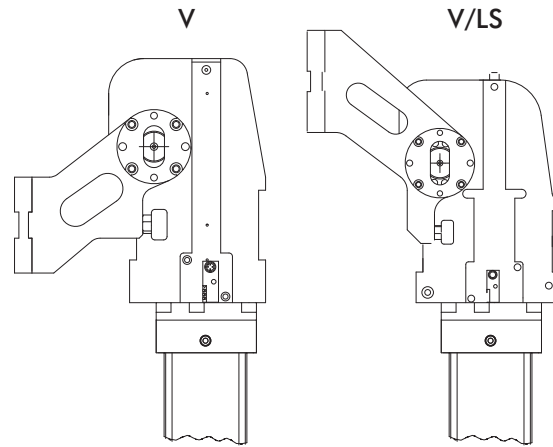
Arm Opening Angle and Saddle Movement



Vertical Saddle Orientation

Arm opening angles offered:  
 45° Arm Opening Angle  
 90° Arm Opening Angle  
 120° Arm Opening Angle

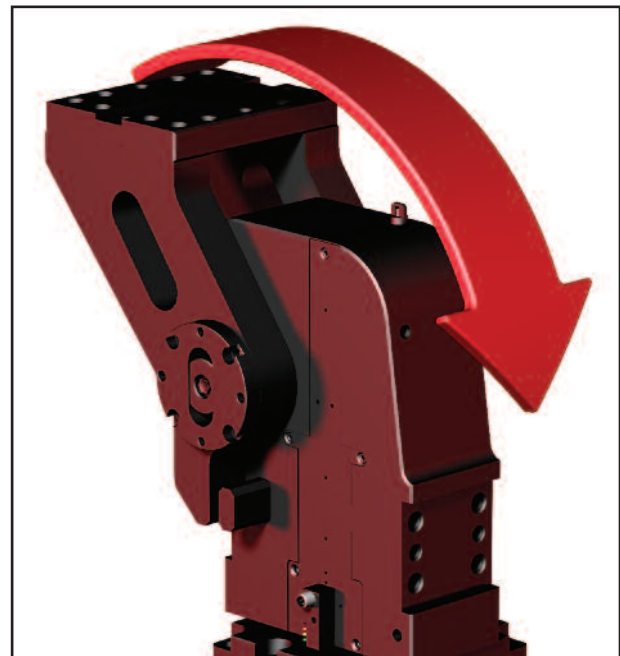
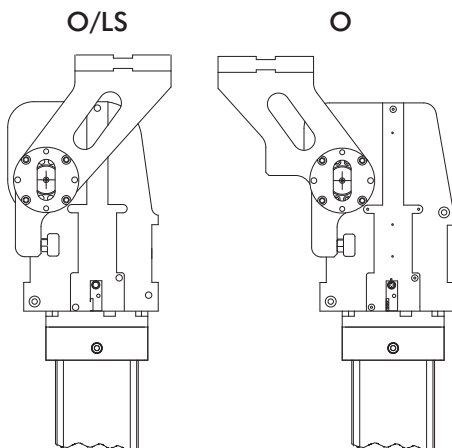
Swivel Arm Position



Horizontal Saddle Orientation

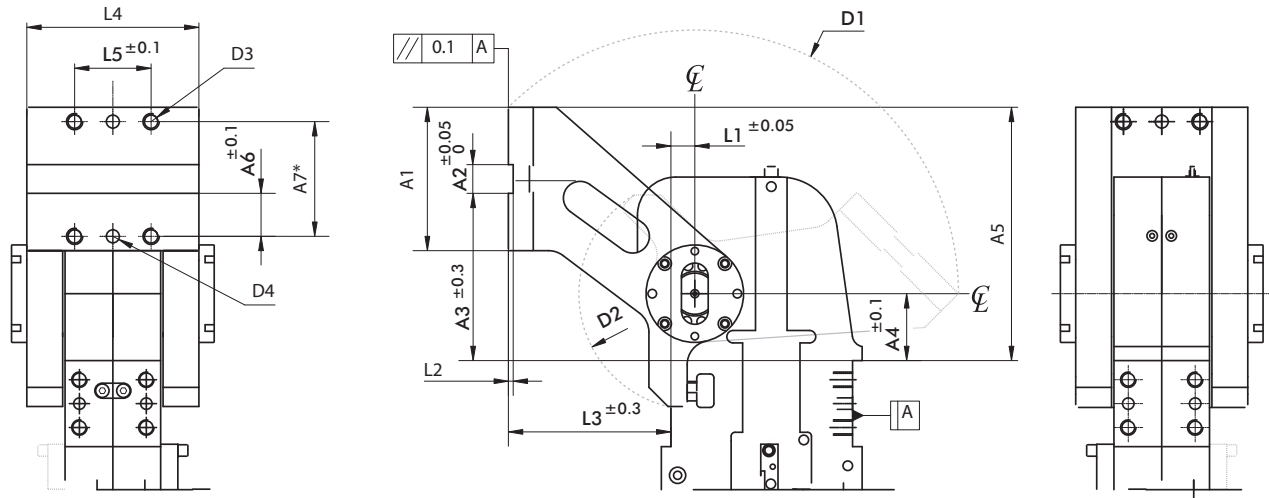
Arm opening angles offered:  
 45° Arm Opening Angle  
 90° Arm Opening Angle  
 120° Arm Opening Angle

Swivel Arm Position



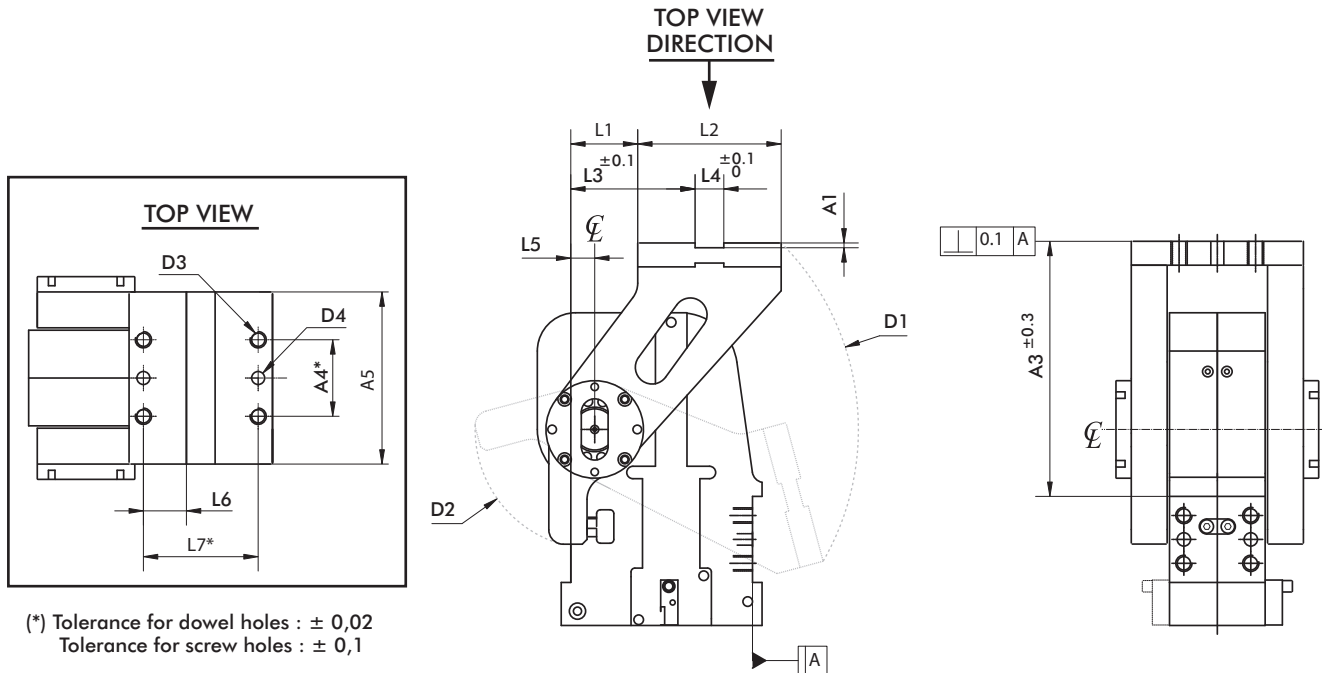
GR and RC Series Medium Duty Pivot Units-Dimensions

Type "LS" Vertical Orientation Dimensions



MODEL	A1	A2	A3	A4	A5	A6	A7	L1	L2	L3	L4	L5	D1	D2	D3	D4	H7	Max. opening angle
	mm													~	~			
GR/RC100-...V/LS	110	30	125	50	195	30	90	20	5	140	145	60	216	117	M12	Ø10		120°
GR/RC125-...V/LS																		
GR/RC160-...V/LS	150	30	175	70	265	45	120	25	5	170	180	80	276	126	M16	Ø12		
GR/RC200-...V/LS																		

Type "LS" Horizontal Orientation Dimensions

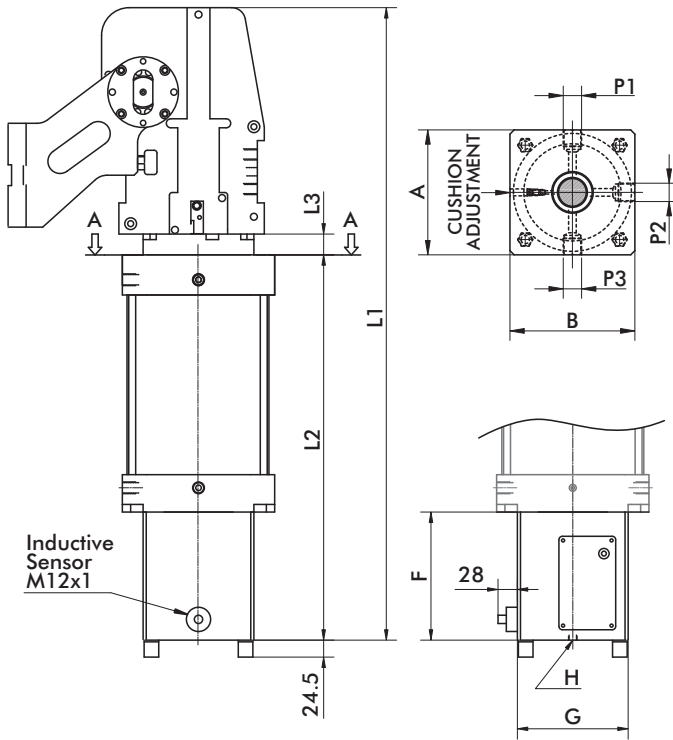


MODEL	A1	A2	A3	A4	A5	L1	L2	L3	L4	L5	L6	L7	D1	D2	D3	D4	H7	Max. opening angle
	mm													~	~			
GR/RC100-...O/LS	5	50	210	60	145	55	110	95	30	20	30	90	216	117	M12	Ø10		90°
GR/RC125-...O/LS																		
GR/RC160-...O/LS	5	70	265	80	180	70	150	130	30	25	45	120	276	126	M16	Ø12		80°
GR/RC200-...O/LS																		



GR and RC Series Medium Duty Pivot Units

GR Series Cylinder Dimensions

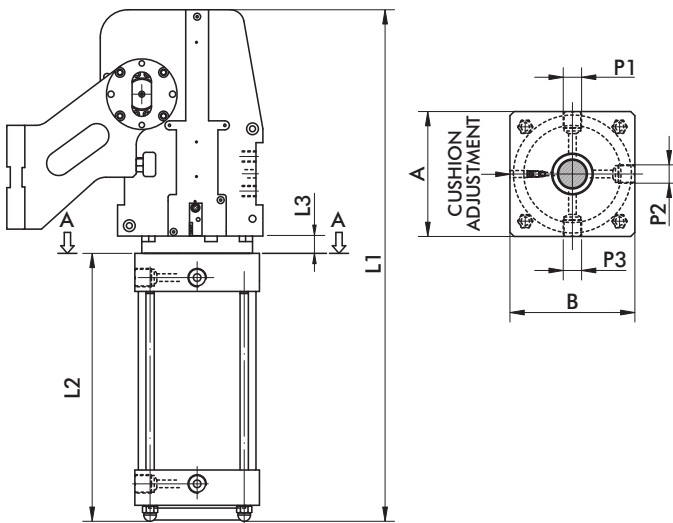


GR MODEL	L1	L2	L3	A-B	P3	P1 - P2	Weight
	mm						
GR100-45°	683.5	383.5				1/2" G	36 kg [80 lb]
GR100-90°	728.5	428.5	20	115	1/2" G	1/2" NPT	
GR100-120°	758.0	458.0					
GR125-45°	818.0	466.0				1/2" G	80 kg [176 lb]
GR125-90°	867.0	515.0	25	160	1/2" G	1/2" NPT	
GR125-120°	895.0	543.0					
GR160-45°	827.0	472.0				3/4" G	95 kg [209 lb]
GR160-90°	876.0	521.0	28	180	3/4" G	3/4" NPT	
GR160-120°	804.0	547.0					
GR200-45°	835.0	478.0				3/4" G	103 kg [226 lb]
GR200-90°	884.0	527.0	30	220	3/4" G	3/4" NPT	
GR200-120°	912.0	555.0					

NOTE: "P1-P2" DEPENDANT ON ORDERING CODE

GR MODEL	F	G	H
	mm		
GR100	136	115 SQ	1/4"
GR125	185	160 SQ	1/4"
GR160	185	160 SQ	1/4"
GR200	185	160 SQ	1/4"

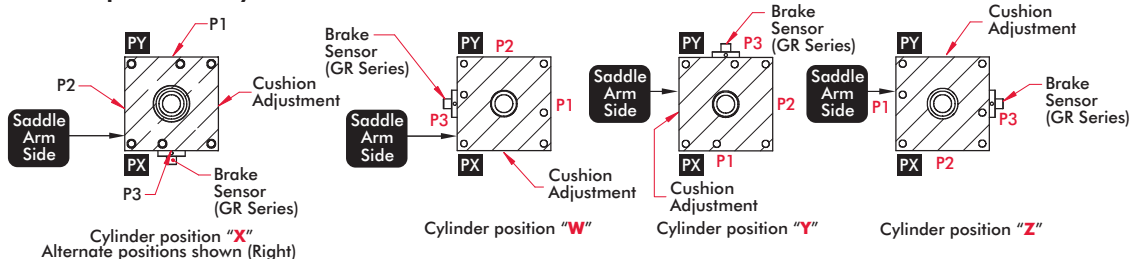
RC Series Cylinder Dimensions



RC MODEL	L1	L2	L3	A-B	P3	P1 - P2	Weight
	mm						
RC100-45°	566.5	266.5				1/2" G	29 kg [64 lb]
RC100-90°	611.5	311.5	20	115	1/2" G	1/2" NPT	
RC100-120°	641.0	341.0					
RC125-45°	656.0	304.0				1/2" G	62 kg [137 lb]
RC125-90°	705.0	353.0	25	160	1/2" G	1/2" NPT	
RC125-120°	733.0	381.0					
RC160-45°	665.0	310.0				3/4" G	77 kg [170 lb]
RC160-90°	714.0	359.0	28	180	3/4" G	3/4" NPT	
RC160-120°	742.0	387.0					
RC200-45°	670.0	313.0				3/4" G	85 kg [187 lb]
RC200-90°	719.0	362.0	30	220	3/4" G	3/4" NPT	
RC200-120°	746.5	389.5					

NOTE: "P1-P2" DEPENDANT ON ORDERING CODE

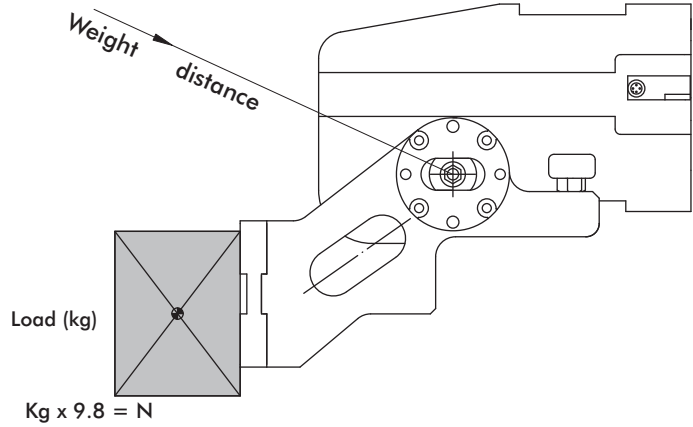
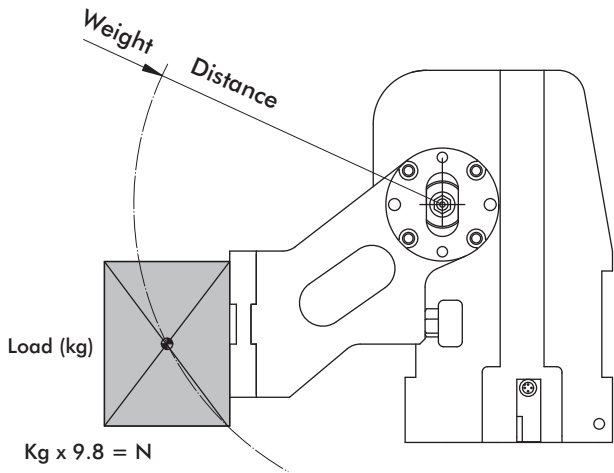
GR & RC Series Optional Cylinder Orientation





GR and RC Series Medium Duty Pivot Units

Maximum Torque for Weight



Model	Maximum Torque for Weight - ≤ 90° opening					
	58psi / 4 Bar		72psi / 5 Bar		87psi / 6 Bar	
	lbf*in	N*m	lbf*in	N*m	lbf*in	N*m
GR/RC100	1062	120	1328	150	1682	190
GR/RC125	1563	180	2124	240	2567	290
GR/RC160	2832	320	3629	410	4425	500
GR/RC200	4514	510	5841	660	7081	800

Model	Maximum Torque for Weight - > 90° opening					
	58psi / 4 Bar		72psi / 5 Bar		87psi / 6 Bar	
	lbf*in	N*m	lbf*in	N*m	lbf*in	N*m
GR/RC100	620	70	797	90	1062	120
GR/RC125	1239	140	1593	180	2036	230
GR/RC160	2124	240	2744	310	3540	400
GR/RC200	3629	410	4602	520	5488	620

Model	Maximum Torque with Side Load for Weight					
	58psi / 4 Bar		72psi / 5 Bar		87psi / 6 Bar	
	lbf*in	N*m	lbf*in	N*m	lbf*in	N*m
GR/RC100	708	80	708	80	708	80
GR/RC125	1770	200	1770	200	1770	200
GR/RC160	1770	200	1770	200	1770	200
GR/RC200	1770	200	1770	200	1770	200

Center of Gravity to Pivot (distance in Meters [Inches]) X Tooling Weight (N [lb]) = Torque for weight (N°m [lbf\*in])  
 Distance from Center of Gravity to pivot is measured parallel to the floor

**Notes**

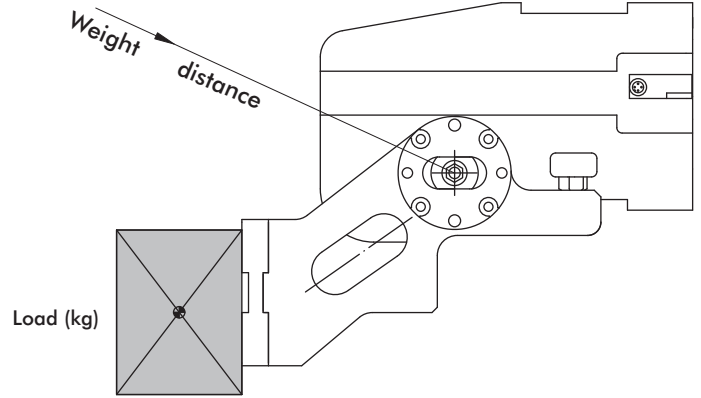
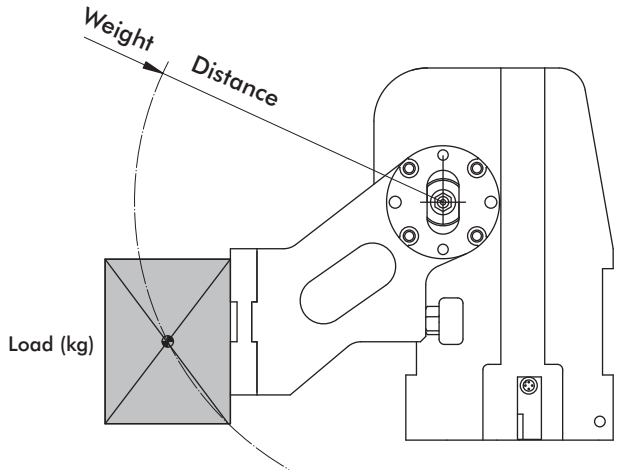
The total torque for the application must be less than the Maximum Torque for a given pressure in the Maximum Torque for Weight charts above. For applications with a total torque greater than the Maximum Torque shown, please see RU Series Pivot Units.

Based on cycle time of 7-8 seconds. Flow controls must be used to provide this cycle time. Cushions must also be adjusted to provide deceleration to the load. Failure to control movement will severely damage unit and cause premature failure.

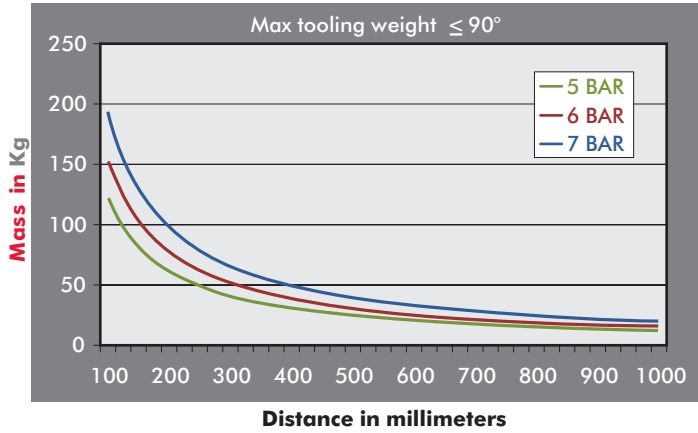
Use the following graphs to determine the maximum amount of tooling weight that is allowed. The tooling load should be placed as close to the center line of the unit as possible.

GR and RC Series Medium Duty Pivot Units

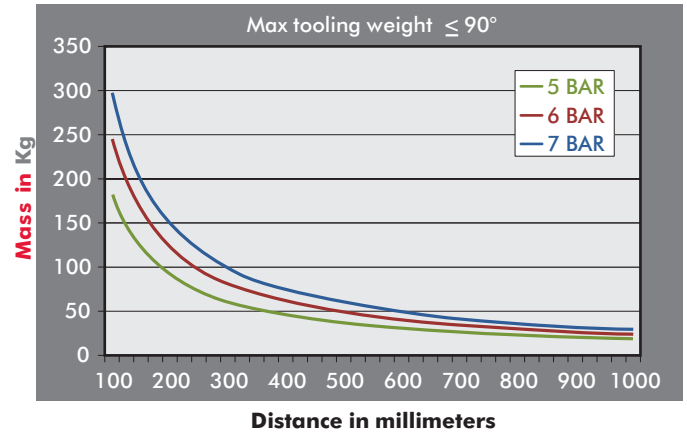
Maximum Added Tooling Weight less than 90°



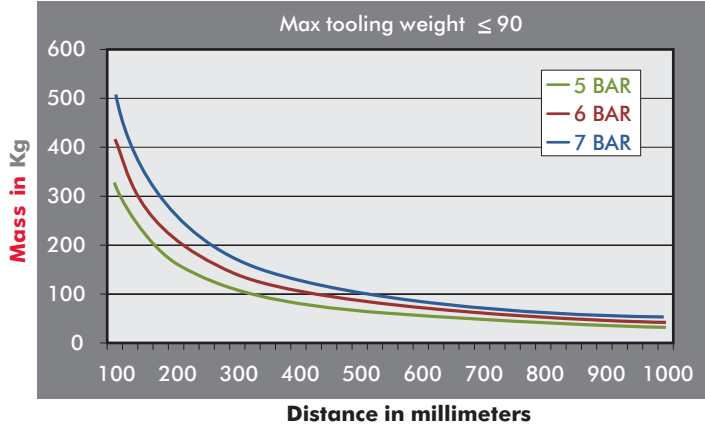
GR/RC 100



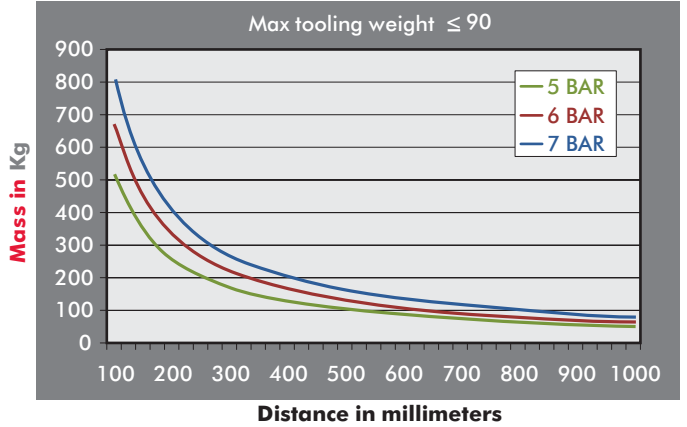
GR/RC 125



GR/RC 160

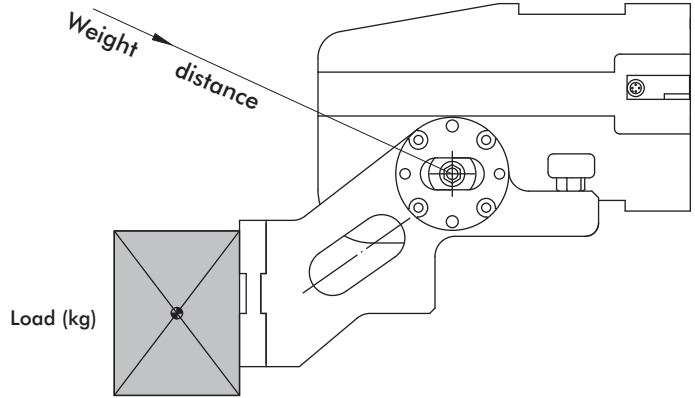
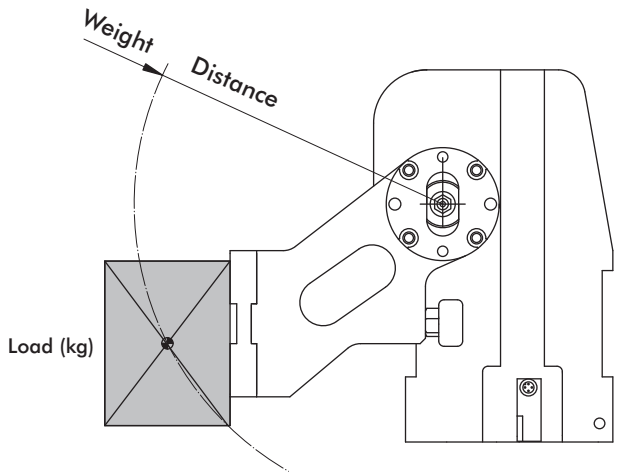


GR/RC 200

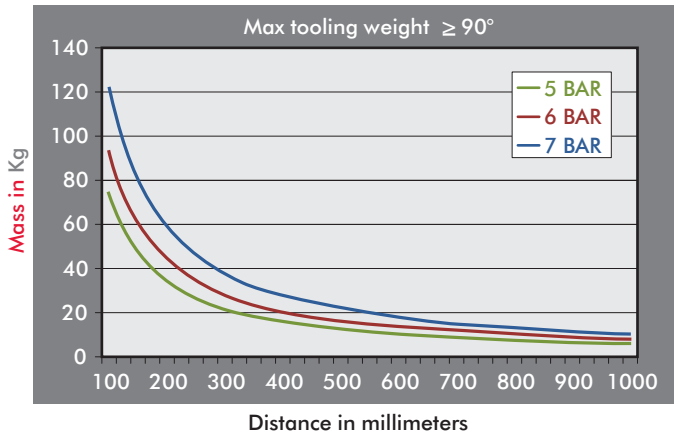


GR and RC Series Medium Duty Pivot Units

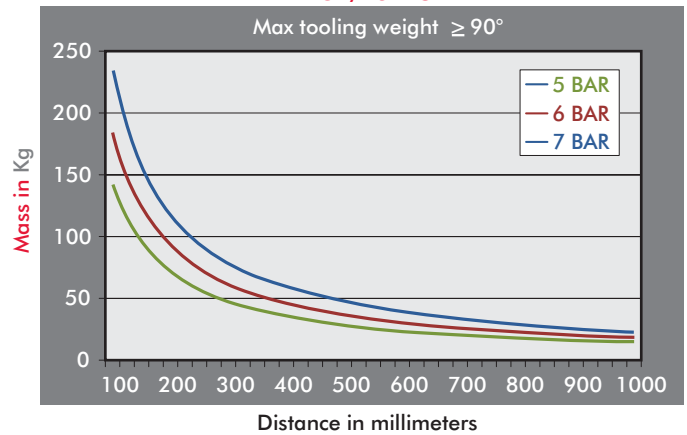
Maximum Added Tooling Weight Greater than 90°



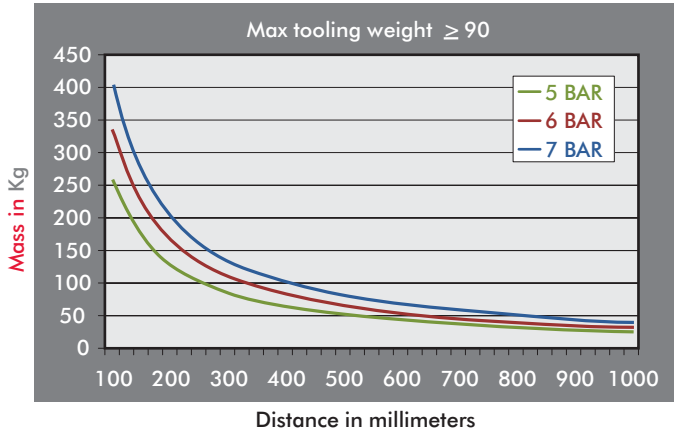
GR/RC 100



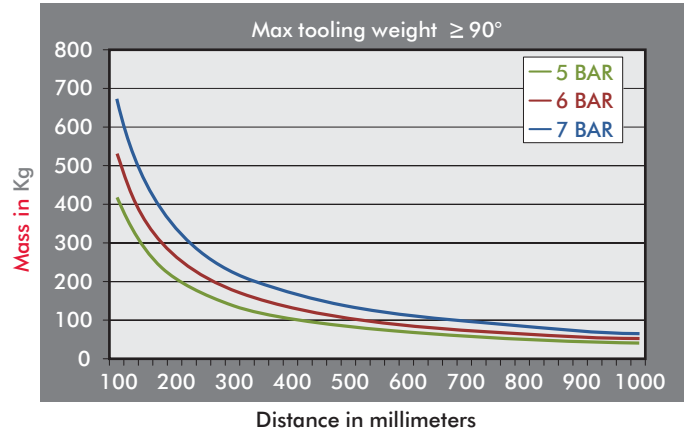
GR/RC 125



GR/RC 160

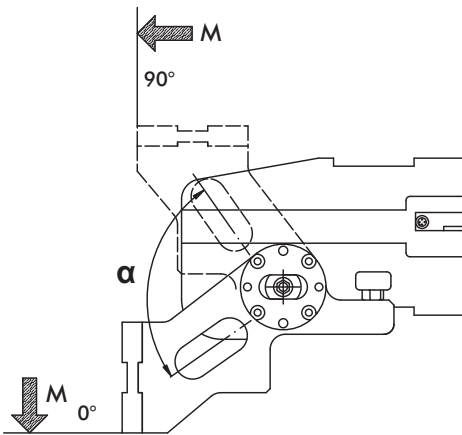


GR/RC 200

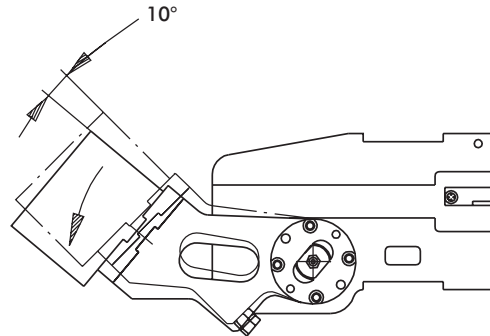


GR and RC Series Medium Duty Pivot Units

Force Charts for Opening Angles



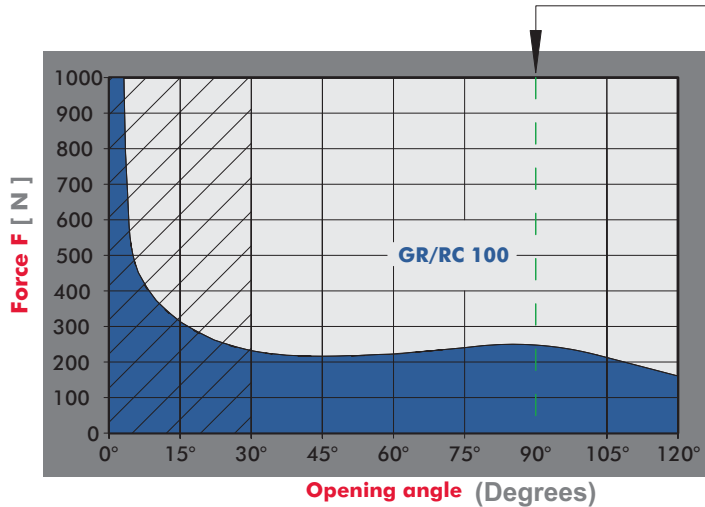
( Values calculated at 1 m from center of rotation )



Play of swing arm while closed emergency stop value

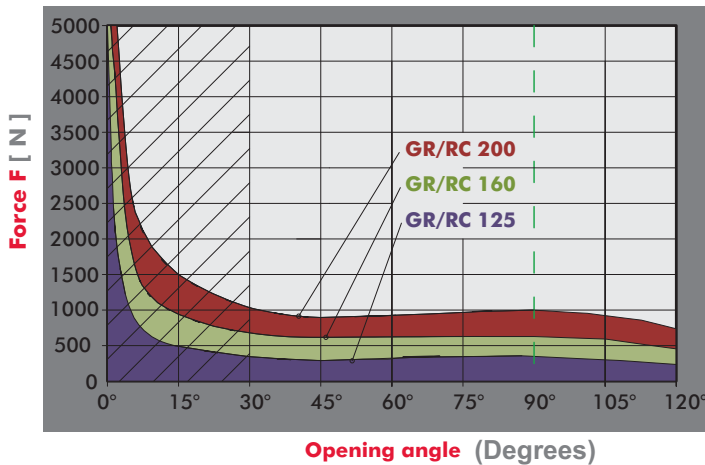
Conditions:

- Emergency stop in operator
  - Cylinder depressurized
  - Max. load
- Max. play 10°



MODEL	TORQUE WITH ARM AT 90°
GR/RC 100	240 Nm
GR/RC 125	370 Nm
GR/RC 160	630 Nm
GR/RC 200	1000 Nm

NOTE: Values at 6 bar



**WARNING:** Make sure that the tilting device runs a complete working cycle and reaches the angle position at 0°. (Any interference in the highlighted angle area may seriously damage both the tooling and the tilting device, as the result of the very high forces developed, as shown in the chart).

**Do not use external stops with GR/RC Series Pivot Units!**