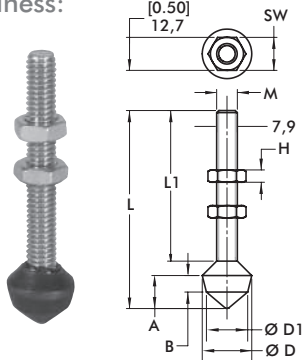


**Cone-Tip Bonded Neoprene Spindle – Inch**

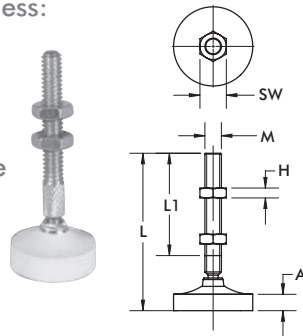
- Black neoprene, hardness: 70-80 Shore A
- Temperature Range: -20°C to 100°C [-22°F to 212°F]
- Oil resistant, LABS (silicone) free
- Includes jam nuts



| Part No. | M       | L               | L1              | SW             | H             | A              | B              | ØD             | ØD1            |
|----------|---------|-----------------|-----------------|----------------|---------------|----------------|----------------|----------------|----------------|
| 305208   | #10-32  | [1.50]<br>38,1  | [1.00]<br>25,4  | [0.38]<br>9,5  | [0.13]<br>3,3 | [0.38]<br>9,5  | [0.19]<br>4,8  | [0.56]<br>14,2 | [0.44]<br>11,2 |
| 213208   | 1/4-20  | [2.25]<br>57,2  | [1.56]<br>39,6  | [0.44]<br>11,2 | [0.16]<br>4,0 |                |                |                |                |
| 509208   | 5/16-18 | [3.00]<br>76,2  | [2.28]<br>57,9  | [0.50]<br>12,7 | [0.19]<br>4,8 | [0.50]<br>12,7 | [0.25]<br>6,4  | [0.75]<br>19,1 | [0.63]<br>16   |
| 519208   |         | [5.50]<br>139,7 | [4.75]<br>120,7 |                |               |                |                |                |                |
| 210208   | 3/8-16  | [3.50]<br>88,9  | [2.50]<br>63,5  | [0.56]<br>14,2 | [0.23]<br>5,8 | [0.75]<br>19,1 | [0.41]<br>10,4 | [0.88]<br>22,4 | [0.75]<br>19,1 |

**Large Diameter Padded Swivel Foot Spindle-Inch**

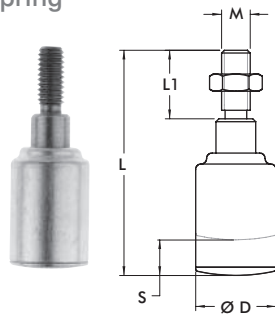
- White neoprene, hardness: 70-80 Shore A
- Temperature Range: -40°C to 105°C [-40°F to 220°F]
- Non-marking neoprene
- Includes jam nuts



| Part No. | M       | L              | L1             | SW             | H             | A           | ØD             | Swivel Angle |
|----------|---------|----------------|----------------|----------------|---------------|-------------|----------------|--------------|
| 207209   | 1/4-20  | [2.56]<br>65   | [1.56]<br>39,6 | [0.44]<br>11,2 | [0.16]<br>4   |             | [1.00]<br>25,4 | 14°          |
| 507209   | 5/16-18 | [2.98]<br>75,7 | [1.94]<br>49,3 | [0.50]<br>12,7 | [0.19]<br>4,8 | [0.31]<br>8 | [1.50]<br>38,1 | 24°          |
| 210209   | 3/8-16  | [3.56]<br>90,4 | [2.44]<br>62   | [0.56]<br>14,2 | [0.23]<br>5,8 |             | [2.00]<br>50,8 | 26°          |

**Plunger-matic Assemblies**

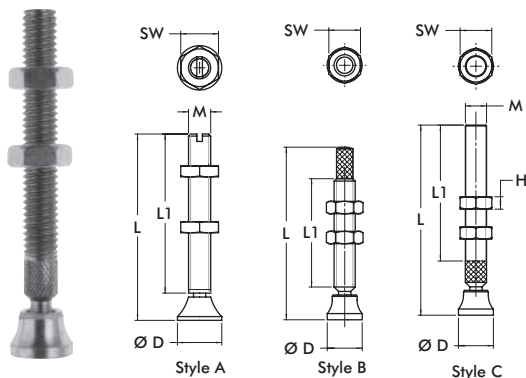
- For use with Straight Line Action clamps
- Internal compression spring compensates for variations in material thickness
- Zinc plated
- Includes jam nut



| Part No. | M       | L              | L1             | ØD             | Max. Compression S | Spring Constant [lb./in] N/mm | Max. Force [lb.] N |
|----------|---------|----------------|----------------|----------------|--------------------|-------------------------------|--------------------|
| 905      | 5/16-18 | [2.50]<br>63,5 | [0.75]<br>19,1 | [0.88]<br>22,2 |                    | [0.19]<br>4,8                 | [750]<br>131       |
| 905-M    | M8      |                |                |                |                    |                               |                    |
| 920      | 3/8-16  | [3.63]<br>92,2 | [1.13]<br>28,6 |                |                    |                               |                    |
| 920-M    | M10     |                |                |                |                    |                               |                    |

**Swivel Foot Spindle**

- Includes jam nuts



| Part No. | M       | Style | L               | L1             | SW             | H             | ØD             | Swivel Angle |
|----------|---------|-------|-----------------|----------------|----------------|---------------|----------------|--------------|
| 207206-M | M6      | A     | [2.44]<br>62    | [2.13]<br>54   | [0.39]<br>10   | [0.13]<br>3,2 | [0.47]<br>12   | 30°          |
| 507206-M | M8      |       | [2.87]<br>73    | [2.46]<br>62,5 | [0.51]<br>13   | [0.16]<br>4   | [0.63]<br>16   |              |
| 468206-M | M10     | B     | [3.00]<br>76,2  | [2.00]<br>50,8 | [0.67]<br>17   | [0.20]<br>5   | [0.79]<br>20   | 24°          |
| 210206-M |         | A     | [3.31]<br>84    | [2.80]<br>71   |                |               |                |              |
| 250206-M | M12     | A     | [4.72]<br>120   | [4.13]<br>105  | [0.75]<br>19   | [0.24]<br>6   | [0.98]<br>25   | 30°          |
| 207206   | 1/4-20  | C     | [2.38]<br>60,5  | [1.56]<br>39,6 | [0.44]<br>11,2 | [0.16]<br>4   | [0.50]<br>12,7 | 14°          |
| 507206   | 5/16-18 |       | [2.75]<br>69,9  | [1.94]<br>49,3 | [0.50]<br>12,7 | [0.19]<br>4,8 | [0.56]<br>14,2 |              |
| 468206   | 3/8-16  | B     | [3.06]<br>77,7  | [1.92]<br>48,8 | [0.56]<br>14,2 | [0.23]<br>5,8 | [0.63]<br>16   | 24°          |
| 210206   |         | C     | [3.38]<br>85,9  | [2.41]<br>61,2 |                |               |                |              |
| 250206   | 1/2-13  | C     | [4.63]<br>117,6 | [3.44]<br>87,4 | [0.75]<br>19,1 | [0.31]<br>7,9 | [1.00]<br>25,4 | 24°          |