

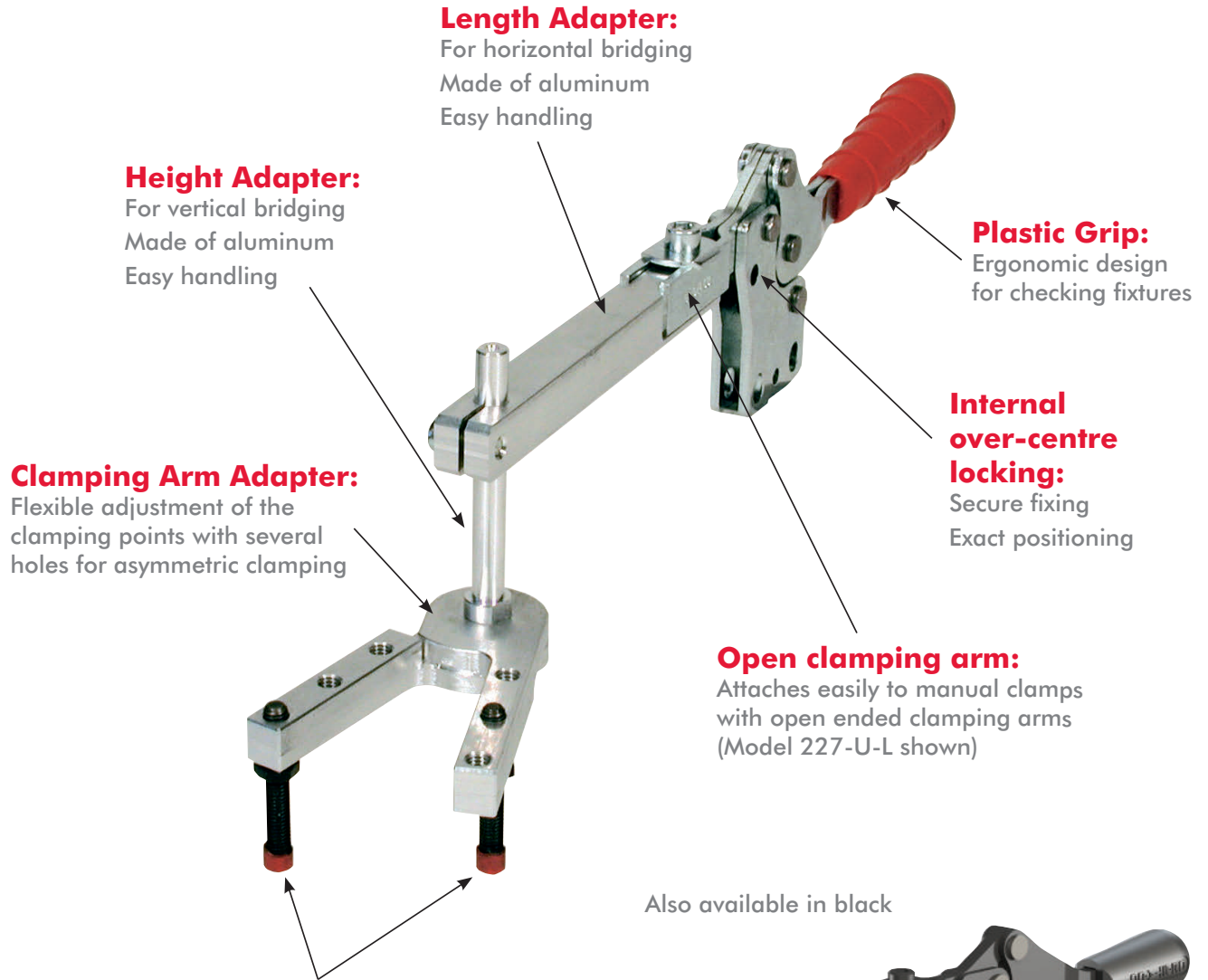
Adapters & Extensions

Features:

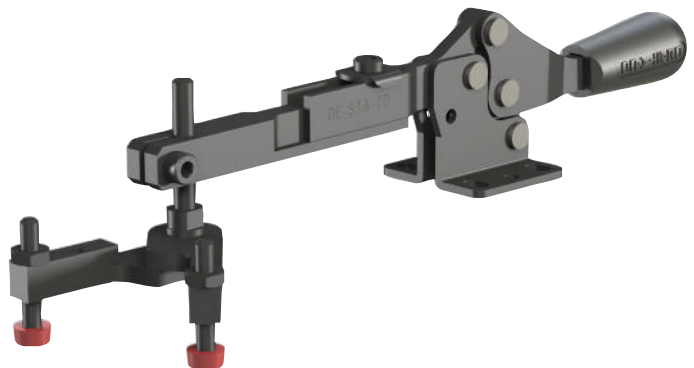
- Provides flexible adjustment of length and height
- Mounts to manual clamp models that feature open clamping arms
- Lightweight aluminum

Application Areas:

- Checking fixtures
- Areas requiring multiple clamping points

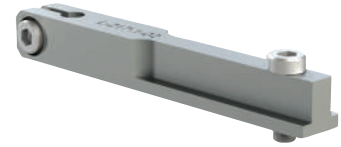
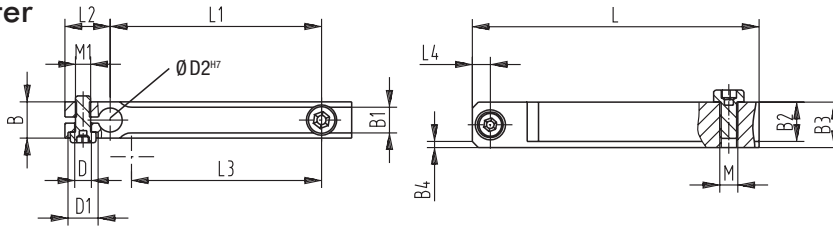


Also available in black



Adapters & Extensions

Length Adapter

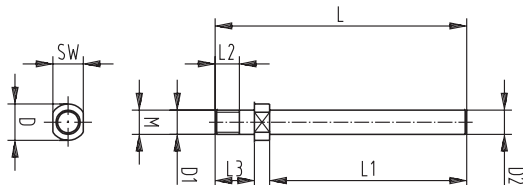


Model no.	Length adapter	B	B1 +0, -1	B2	B3	B4	DØ	D1 Ø	D2 <sup>H7</sup>	L	L1 ±0,2	L2	L3	L4	M	M1
213-U-L / 213-UB-L	L-213-1-01	[0.39] 10	[0.22] 5,5	[0.31] 8	[0.39] 10	2x 45°	[0.22] 5,5	--		[1.97] 50	[1.18] 30	[0.47] 12	[0.79] 20	[0.20] 5	M4	M5
2013-U / 2013-UB	L-213-1-02									[3.54] 90	[2.76] 70					
2013-UR / 2013-UBR	L-213-1-02															
202-U-L / 202-UB-L	L-217-1-01								[0.24] 6	[2.17] 55	[1.18] 30		[1.30] 33			
217-U-L / 217-UB-L	L-217-1-01															
2002-U-L / 2002-UB-L	L-217-1-02		[0.26] 6,5	[0.35] 9	[0.47] 12	2x 45°	[0.22] 5,5			[3.74] 95	[2.76] 70				M5	M5
2017-U / 2017-UB	L-217-1-03									[5.31] 135	[4.33] 110		[1.89] 48			
2017-UR / 2017-UBR	L-217-1-03															
207-U-L / 207-UB-L	L-227-1-01	[0.47] 12						[0.39] 10		[2.17] 55	[1.18] 30	[0.59] 15	[1.30] 33	[0.24] 6		
227-U-L / 227-UB-L	L-227-1-02									[3.74] 95	[2.76] 70					
2007-U-LS / 2007-U-LS	L-227-1-03		[0.33] 8,5	[0.51] 13	[0.59] 15	2x 45°	[0.22] 5,5		[0.31] 8	[5.31] 135	[4.33] 110		[2.87] 73		M6	M5
2027-U / 2027-UB	L-227-1-03															
2027-UR / 2027-UBR	L-227-1-04									[6.89] 175	[5.91] 150					

Ⓜ Available upon request.

Also available in Black. Add **-BLK** to part number.

Height Adapter



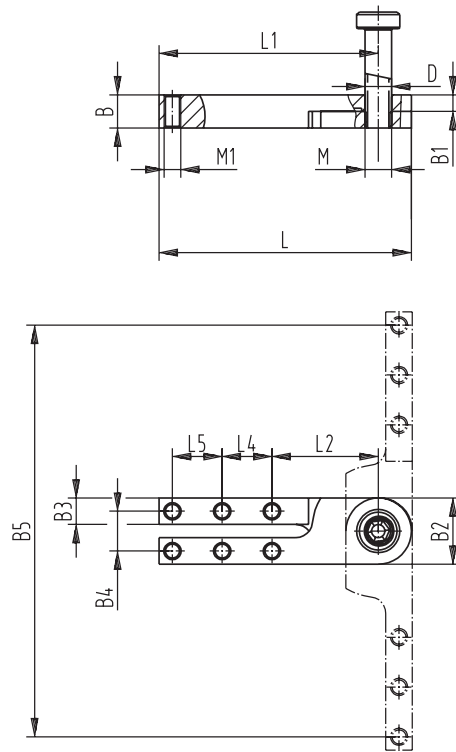
Model no.	Height adapter	DØ	D1 Ø f7	D2 f7	L	L1	L2	L3	SW	M
213-U-L / 213-UB-L	L-213-2-01		[0.20] 5	[0.24] 6	[2.05] 52	[1.38] 35				M5
2013-U / 2013-UB	L-213-2-02				[3.23] 82	[2.56] 65				
2013-UR / 2013-UBR	L-213-2-02									
202-U-L / 202-UB-L	L-217-2-01	[0.39] 10			[2.05] 52	[1.38] 35		[0.47] 12	[0.31] 8	M6
217-U-L / 217-UB-L	L-217-2-01									
2002-U-LS / 2002-UB-LS	L-217-2-02		[0.24] 6	[0.24] 6	[3.23] 82	[2.56] 65	[0.31] 8			
2017-U / 2017-UB	L-217-2-02									
2017-UR / 2017-UBR	L-217-2-02									
207-U-L / 207-UB-L	L-227-2-01				[2.09] 53	[1.38] 35				
227-U-L / 227-UB-L	L-227-2-01									
2007-U-LS / 2007-U-LS	L-227-2-02	[0.31] 8	[0.31] 8	[0.31] 88	[3.23] 82	[2.56] 65		[0.51] 13	[0.39] 10	M8
2027-U / 2027-UB	L-227-2-02									
2027-UR / 2027-UBR	L-227-2-02									

Ⓜ Available upon request.

Also available in Black. Add **-BLK** to part number.

Adapters & Extensions

Clamping Arm Adapter



Model no.	Clamping arm adapter	B	B1	B2	B3	B4	B5	DØ <sub>H7</sub>	L	L1	L2	L4	L5	L6	M	M1
213-U-L / 213-UB-L 2013-U / 2013-UB 2013-UR / 2013-UBR	L-213-3-01 ①							[0.20] 5					-		M5	M5
202-U-L / 202-UB-L 217-U-L / 217-UB-L 2002-U-LS / 2002-UB-LS 2017-U / 2017-UB 2017-UR / 2017-UBR	L-217-3-01 ①	[0.39] 10	[0.20] 5	[0.79] 20	[0.31] 8	[0.47] 12	[3.70] 94	[0.24] 6	[2.40] 61	[2.01] 51	[1.26] 32	[0.59] 15	-	[0.39] 10	M6	M5
207-U-L / 207-UB-L 227-U-L / 227-UB-L 2007-U-LS / 2007-UB-LS 2027-U / 2027-UB 2027-UR / 2027-UBR	L-227-3-01 ①						4.88 124	[0.31] 8	[2.99] 76	[2.60] 66			[0.59] 15		M8	M5

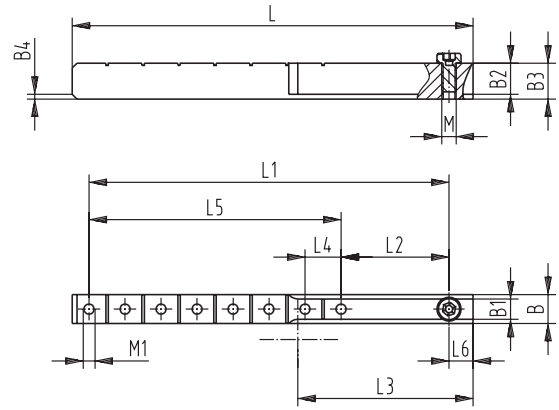
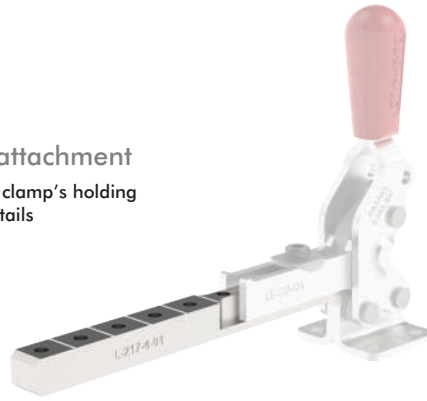
① Available upon request. Also available in Black. Add **-BLK** to part number.

### Adapters & Extensions

#### Arm Extension:

- Easily cut to length
- Drilled & tapped for spindle attachment

Note: adding arm extension will reduce the clamp's holding capacity. Refer to Technical Appendix for details

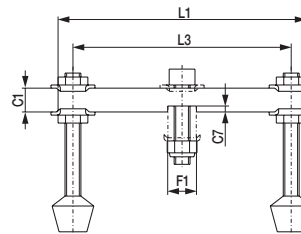


Model no.	Extension link	B	B1 +0, -1	B2	B3	B4	L ±0,2	L1	L2	L3	L4	L5	L6	M	M1	
<b>213-U-L / 213-UB-L</b> <b>2013-U / 2013-UB</b> <b>2013-UR / 2013-UBR</b>	<b>L-213-4-01</b> ⓘ	[0.39] 10	[0.22] 5,5	[0.31] 8	[0.39] 10	2x 45°	[2.95] 75	[2.36] 60	[0.94] 24	[0.79] 20	[0.47] 12	[1.42] 36	[0.31] 8	M4	M5	
<b>202-U-L / 202-UB-L</b> <b>217-U-L / 217-UB-L</b> <b>2002-U-LS / 2002-UB-LS</b> <b>2017-U / 2017-UB</b> <b>2017-UR / 2017-UBR</b>	<b>L-217-4-01</b> ⓘ		[0.26] 6,5	[0.35] 9	[0.47] 12	2x 45°	[5.00] 127	[4.33] 110	[1.38] 35	[1.89] 48		[2.95] 75	[0.39] 10	M5	M5	
<b>207-U-L / 207-UB-L</b> <b>227-U-L / 227-UB-L</b> <b>2007-U-LS / 2007-UB-LS</b> <b>2027-U / 2027-UB</b> <b>2027-UR / 2027-UBR</b>	<b>L-227-4-01</b> ⓘ	[0.47] 12				2x 45°	[6.57] 167	[5.91] 150	[1.77] 45	[2.87] 73	[0.59] 15		[4.13] 105	[0.39] 10	M6	M5

ⓘ Available upon request. Also available in Black. Add **-BLK** to part number.

#### Cross Arm Set

- 1 x cross arm
- 2 x adjustment spindles with neoprene thrust pads vulcanized, resin-free, inc.
- 2 x fastening nuts
- 4 x flange washers
- 1 x screw incl. 1 x fastening nut, self-locking



Model no.	For Models with U Arms	C1	C7	F	F1	L1	L3	Adjustable Spindles
<b>207426-Q</b>	<b>207, 225, 227</b>	[0.47] 12	[0.12] 3	[0.31] 35	[0.57] 14,5	[4.92] 125	[4.33] 110	507208-M
<b>210440-Q</b>	<b>210, 235, 237</b>	[0.63] 16	[0.16] 4	[0.43] 11	[0.75] 19	[5.87] 149	[5.12] 130	240208-M