

Series 2002 Product Overview

Features:

- Large hand clearance for improved safety
- Bolt pattern interchangeable with 202 Series
- Three times the holding capacity of 202 Series
- Hardened bushings at key pivot points
- Near vertical clamping contact
- BLK models feature a black, non-reflective finish

Applications:

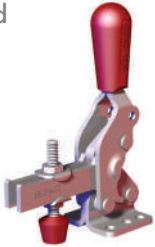
- Checking fixtures
- Assembly & test
- Light machining
- Woodworking

Also Available:

See page 7.1 for accessories  
Accepts M6 or 1/4 spindle accessories

Covered under one or more U.S./International Patents

**2002-U**  
Flanged  
Base  
U-Bar



**2002-U-LS-BLK** ⓘ  
Blackout Series  
Flanged Base  
U-Bar



**2002-S**  
Flanged Base  
Solid Bar



**2002-UB**  
Straight Base  
U-Bar



**2002-UB-LS-BLK** ⓘ  
Blackout Series  
Straight Base  
U-Bar



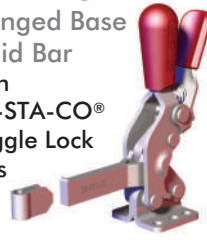
**2002-SB**  
Straight Base  
Solid Bar



**2002-UR**  
Flanged Base  
U-Bar  
with  
DE-STA-CO®  
Toggle Lock  
Plus



**2002-SR** ⓘ  
Flanged Base  
Solid Bar  
with  
DE-STA-CO®  
Toggle Lock  
Plus



**2002-UBR**  
Straight Base  
U-Bar  
with  
DE-STA-CO®  
Toggle Lock  
Plus



**2002-SBR** ⓘ  
Straight Base  
Solid Bar  
with  
DE-STA-CO®  
Toggle Lock  
Plus



**2002-U207**  
Flanged Base  
U-Bar  
Interchangeable  
with 207 Series



**2002-UR207**  
Flanged Base  
U-Bar  
Interchangeable  
with 207 Series,  
DE-STA-CO®  
Toggle  
Lock Plus



Note: Clamps shown with included accessories.

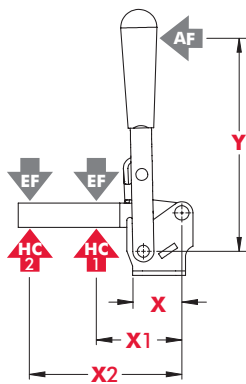
ⓘ This item is available upon request

## Series 2002 Technical Information

| Model            | Max. Holding Capacity | Clamp Bar Opening(+10°) | Handle Opening (+10°) | Weight             | Accessories (Supplied) |                  |                 |
|------------------|-----------------------|-------------------------|-----------------------|--------------------|------------------------|------------------|-----------------|
|                  |                       |                         |                       |                    | Bolt Retainer          | Spindle Assembly | Flanged Washers |
| 2002-U           | 2700 N<br>[600 lbf]   | 75°                     | 66°                   | 0,22kg<br>[0.48lb] | --                     | 215208-M         | 215105          |
| 2002-U-LS-BLK ⓘ  |                       |                         |                       |                    | --                     | --               | 215105-BLK      |
| 2002-S           |                       |                         |                       |                    | 2002115-E              | --               | --              |
| 2002-UB          |                       |                         |                       |                    | --                     | 215208-M         | 215105          |
| 2002-UB-LS-BLK ⓘ |                       |                         |                       |                    | --                     | --               | 215105-BLK      |
| 2002-SB          |                       |                         |                       |                    | 2002115-E              | --               | --              |
| 2002-UR          |                       | --                      | 215208-M              | 215105             |                        |                  |                 |
| 2002-SR ⓘ        |                       | 2002115-E               | --                    | --                 |                        |                  |                 |
| 2002-UBR         |                       | --                      | 215208-M              | 215105             |                        |                  |                 |
| 2002-SBR ⓘ       |                       | 2002115-E               | --                    | --                 |                        |                  |                 |
| 2002-U207        |                       | 90°                     | 72°                   | 0,26kg<br>[0.57lb] | --                     | 215208-M         | 215105          |
| 2002-UR207       |                       | 75°                     | 57°                   |                    |                        |                  |                 |

ⓘ This item is available upon request

## Series 2002 Holding Capacities

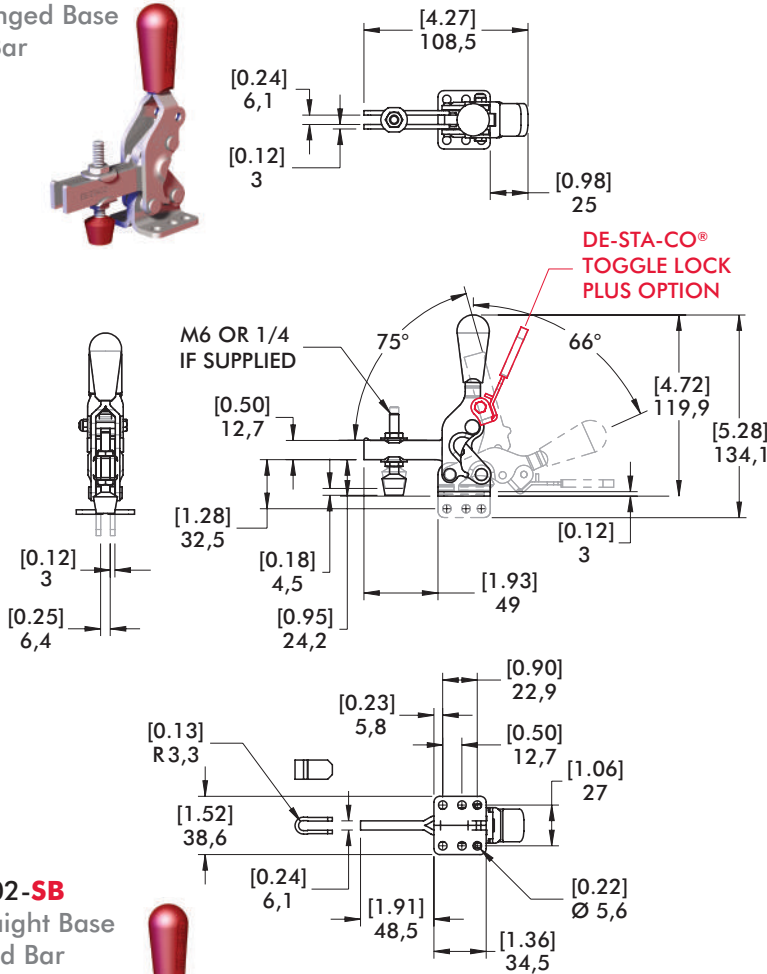


| Model    | X              | X1           | X2           | Y            | ±HC1               | ±HC2               | ±EF(X1):AF | ±EF(X2):AF |
|----------|----------------|--------------|--------------|--------------|--------------------|--------------------|------------|------------|
| 2002-( ) | [1.12]<br>28,5 | [1.45]<br>37 | [2.64]<br>67 | [3.66]<br>93 | [600 lbf]<br>2700N | [295 lbf]<br>1310N | 11:1       | 5:1        |

Dimensions shown "mm [inch]" ± HC = Holding Capacity, EF = Exerting Force, AF = Applied Force  
Refer to page 15.4 for additional information.

Series 2002 Standard Clamp Dimensions  
-U/-S/-UB/-SB/-UR/-SR/-UBR/-SBR

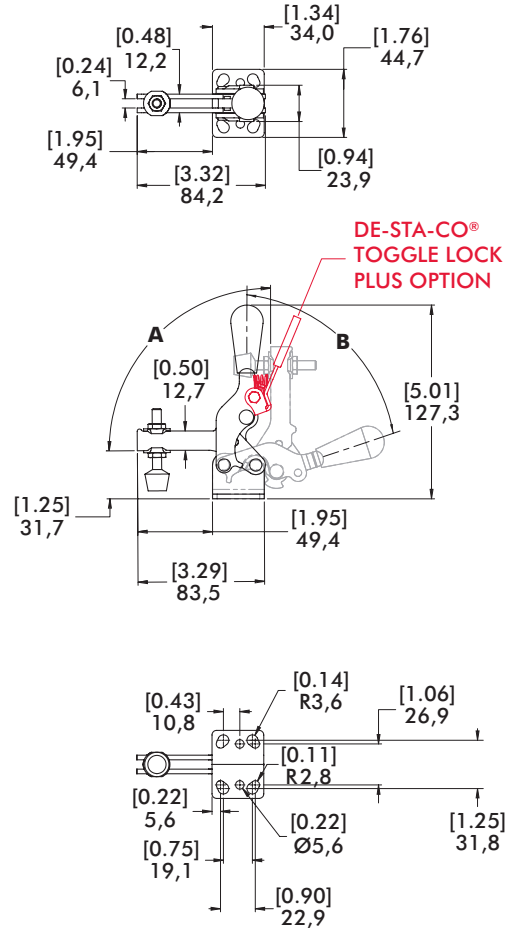
2002-U  
Flanged Base  
U-Bar



2002-SB  
Straight Base  
Solid Bar



2002-U207/2002-UR207  
with interchangeable Series 207  
Mounting Pattern



| Model      | A   | B   |
|------------|-----|-----|
| 2002-U-207 | 90° | 72° |
| 2002-UR207 | 75° | 57° |