

Series 215 Product Overview

Features:

- Low profile
- Stainless steel model furnished without plastic grip

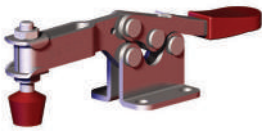
Applications:

- Assembly
- Checking fixtures
- Closures
- Woodworking

Also Available:

See page 7.1 for accessories
Accommodates M6 or 1/4" spindle accessory

215-U
Flanged Base
U-Bar



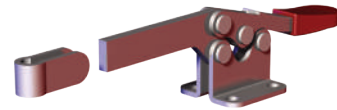
215-USS
Flanged Base
U-Bar, Stainless
Steel



215-UB ⓘ
Straight Base
U-Bar



215-S
Flanged Base
Solid Bar



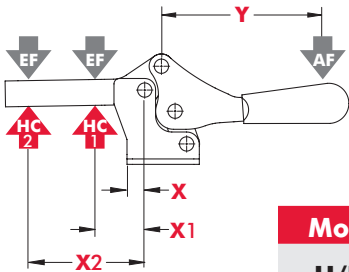
Note:
Clamps shown with included accessories.

Series 215 Technical Information

| Model | Max. Holding Capacity | Clamp Bar Opening (+10°) | Handle Opening (+10°) | Weight | Accessories (Supplied) | | |
|-----------------|-----------------------|--------------------------|-----------------------|-----------------|------------------------|-----------------|---------------|
| | | | | | Spindle Assembly | Flanged Washers | Bolt Retainer |
| 215-U | 890 N [200 lbf] | 87° | 78° | 0,15kg [0.34lb] | 202208-M | 215105 | -- |
| 215-USS | 1110 N [250 lbf] | | | | 202943-M | 215905 | |
| 215-UB ⓘ | 890 N [200 lbf] | | | | 202208-M | 215105 | |
| 215-S | 890 N [200 lbf] | | | | -- | -- | 205105 |

ⓘ This item is available upon request

Series 215 Holding Capacities

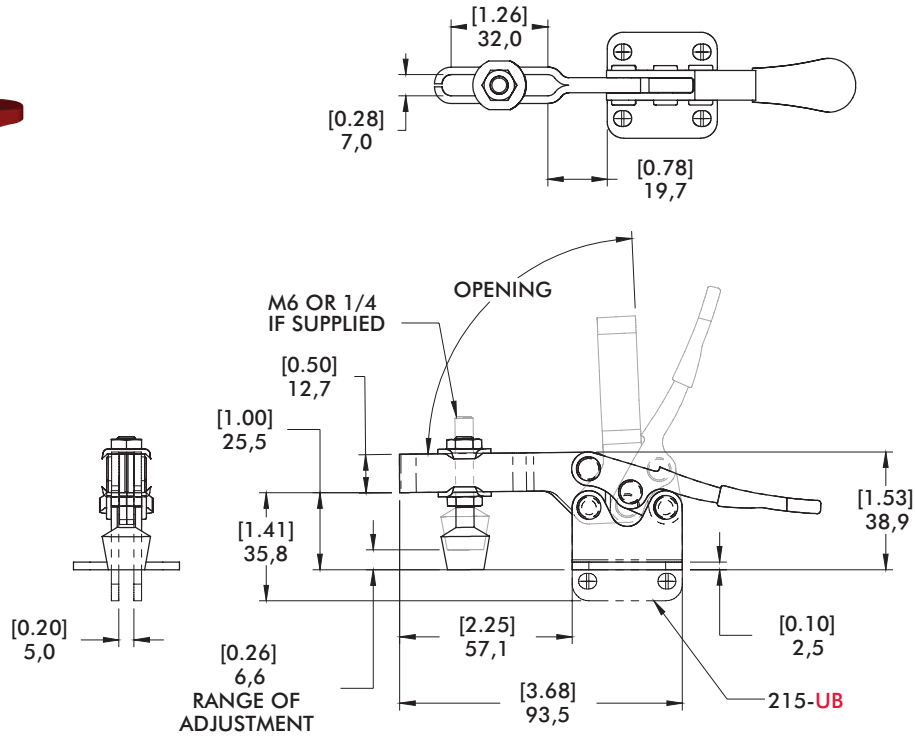
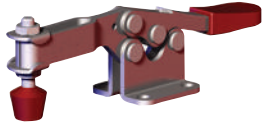


| Model | X | X1 | X2 | Y | ±HC1 | ±HC2 | ±EF(X1):AF | ±EF(X2):AF |
|-------------|---------------|----------------|--------------|--------------|--------------------|-------------------|------------|------------|
| U/UB | | [1.00] | [2.25] | | [200lbf.] 890N | [80lbf.] 360N | 9:1 | 4:1 |
| USS | [0.22] 5,6 | 25,4 | 57 | [2.72] 69 | [250lbf.] 1110N | [110lbf.] 490N | | |
| S | | [1.63] 41,4 | [2.88] 73 | | [200lbf.] 890N | 6:1 | | |

Dimensions shown "mm [inch]" ± HC = Holding Capacity, EF = Exerting Force, AF = Applied Force
Refer to page 15.4 for additional information.

Series 215 Standard Clamp Dimensions
-U/-USS/-UB/-S

215-U
Flanged Base
U-Bar



215-S
Flanged Base
Solid Bar

