

Series 301, 311 Product Overview

Features:

- Fixed stop automatically limits handle travel at various clamping positions once the clamp is installed
- Model 301 available in stainless steel as 301-SS

Applications:

- Molding
- Closures for doors, lids, covers
- Assembly

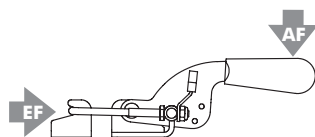
301
301-SS



311

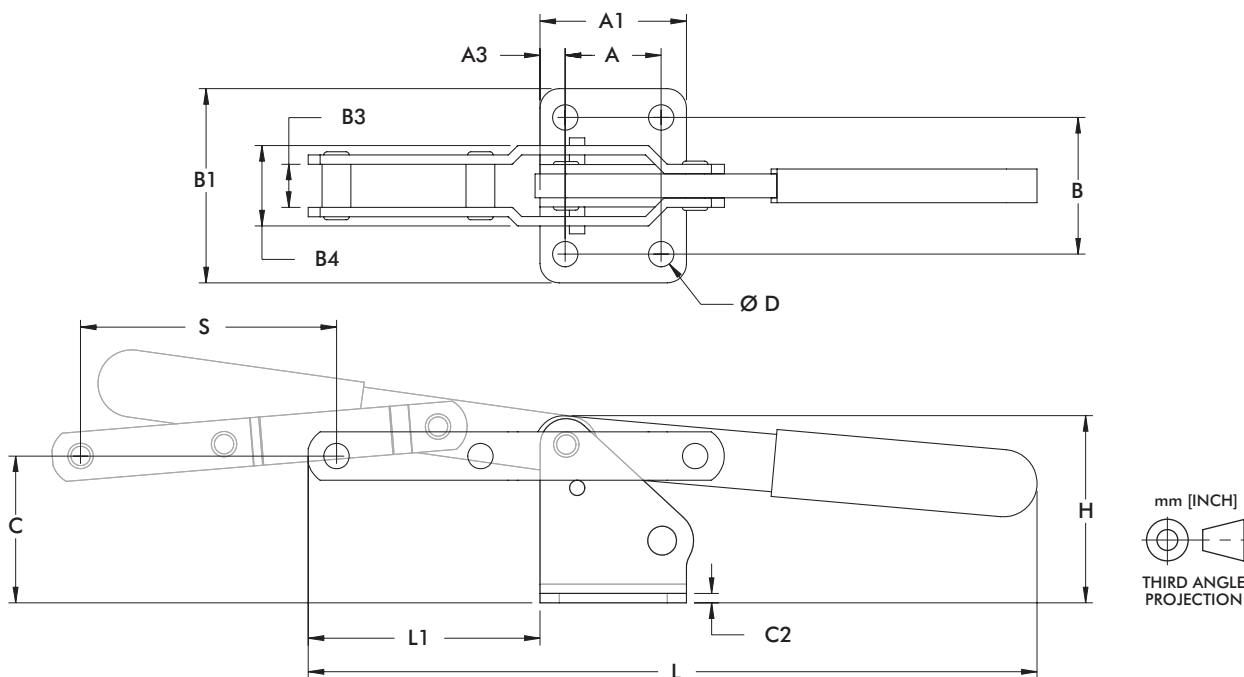


Series 301, 311 Technical Information, Holding Capacities, Standard Clamp Dimensions



| Model | Max. Holding Capacity | Weight | EF:AF | Drawing Movement |
|--------|-----------------------|-----------------|-------|------------------|
| 301 | 1670 N [375 lbf] | 0,32kg [0.70lb] | 29:1 | 101,6 [4.00] |
| 301-SS | 2000 N [450 lbf] | | | |
| 311 | 5340 N [1200 lbf] | 0,53kg [1.16lb] | 31:1 | 85,9 [3.38] |

EF = Exerting Force, AF = Applied Force



| Model | A | A1 | A3 | B | B1 | B3 | B4 | C | C2 | ØD | H | L | L1 | S |
|--------|--------|--------|--------|--------|--------|--------|--------|--------|--------|--------|--------|--------|--------|--------|
| 301 | [0.75] | [1.38] | [0.32] | [1.25] | [1.75] | [0.56] | [1.04] | [1.52] | [0.12] | [0.28] | [1.91] | [8.33] | [3.04] | [4.00] |
| 301-SS | 19,1 | 35,1 | 8 | 31,8 | 44,5 | 14,1 | 26,4 | 38,6 | 3,1 | 7,1 | 48,4 | 211,5 | 77,1 | 101,6 |
| 311 | [1.25] | [1.91] | [0.33] | [1.78] | [2.53] | [0.56] | [1.05] | [1.91] | [0.12] | [0.33] | [2.44] | [9.49] | [3.02] | [3.88] |
| | 31,8 | 48,4 | 8,3 | 45,2 | 64,3 | 14,3 | 26,6 | 48,6 | 3,1 | 8,4 | 61,9 | 241,2 | 76,7 | 85,9 |