

Operating pressure max. 500 bar

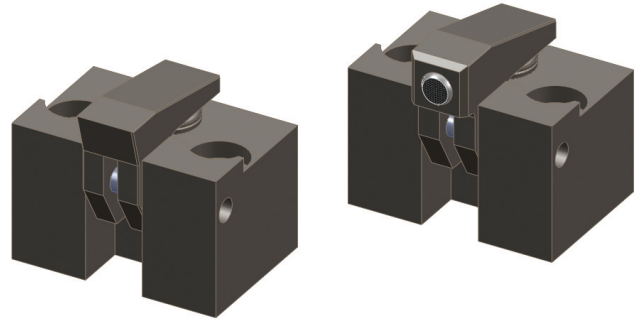
Edge clamps are mainly used where workpiece clamping "from the top" is difficult or impossible. Its small design is an advantage where space is limited. The clamp is equipped with 2 hydraulic connections. Both connections are linked via a transverse hole. This allows the possibility to link the edge clamps directly if several clamps are to be operated simultaneously.

Technical characteristics:

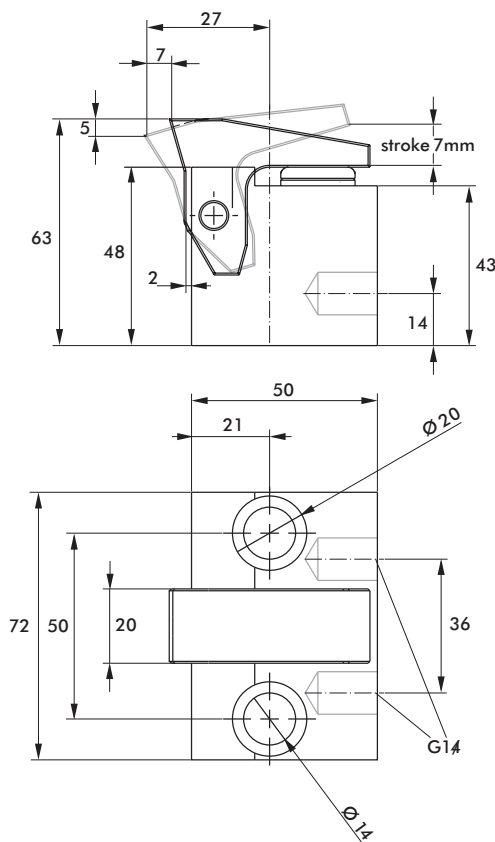
- Spring retraction
- Clamping lever with or without ball element
- The hold down force is the vertically (downward) acting component of the clamping force

Recommended accessories (separate order)

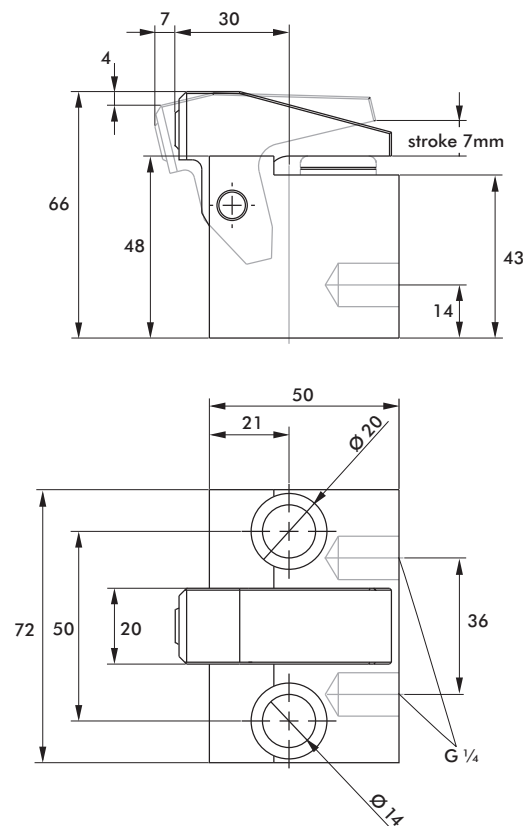
1 straight screw connection, order no. **D8S-R1/8**



Model no. 733E03701-1



Model no. 733E03702-1



model no.	version	max. operating pressure	Clamping force	Clamping range		Oil consumption	Connection	Weight
		[bar]	at 100 bar [kN]	horizontal [mm]	vertical [mm]			
733E03701-1	standard	500	3,7	7	5	2,2	2 x G1/4	1
733E03702-1	with ball element							